

# Max Motion

PRODUCT CATALOGUE





## ABOUT US

SINCE 1982, MEP HAS BECOME A LEADER IN THE IMPORTING AND DISTRIBUTION OF INDUSTRIAL ELECTRICAL PRODUCTS, SPECIALIZING IN ELECTRIC MOTORS, DRIVES AND POWER TRANSMISSION PRODUCTS.

WITH OFFICES, AND WAREHOUSES ACROSS NORTH AMERICA, WE OFFER A FULL RANGE OF PRODUCTS THAT ALLOW US TO MEET THE GROWING NEEDS OF OUR PARTNERS.

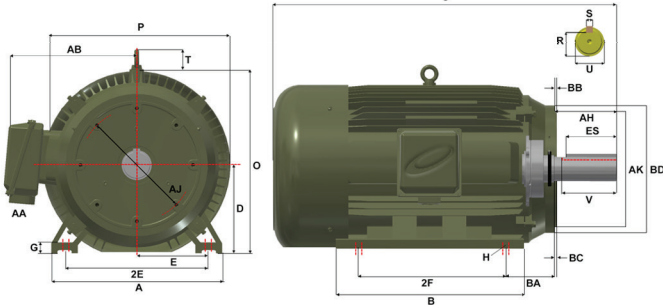
OUR EXPERTISE PLACES US AS TRUSTED PARTNERS WITH OUR CLIENTS TO WORK ACROSS A WIDE ARRAY APPLICATIONS INCLUDING MINING, PAPER PROCESSING, AGRICULTURE, VENTILATION, PUMPING, FOOD PROCESSING & CONVEYING.

IN 2002, MEP ESTABLISHED A LINE OF HIGH QUALITY MOTOR AND GEARING PRODUCTS UNDER THE BRAND MAX MOTION.

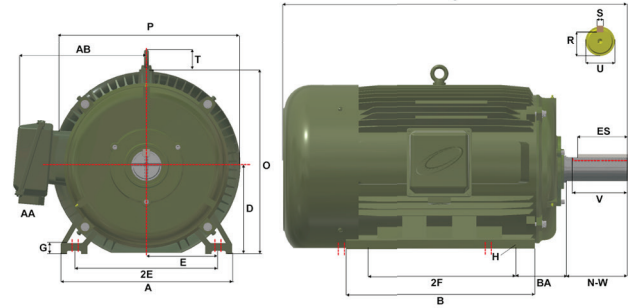
DIRECT PARTNERSHIPS WITH OUR FACTORIES ALLOWS MEP TO OFFER YOU PREMIUM GOODS AT VERY COMPETITIVE PRICES.

# Nema Quick Reference Dimensional Chart

Typical C-face Motor



Typical Rigid Base Motor



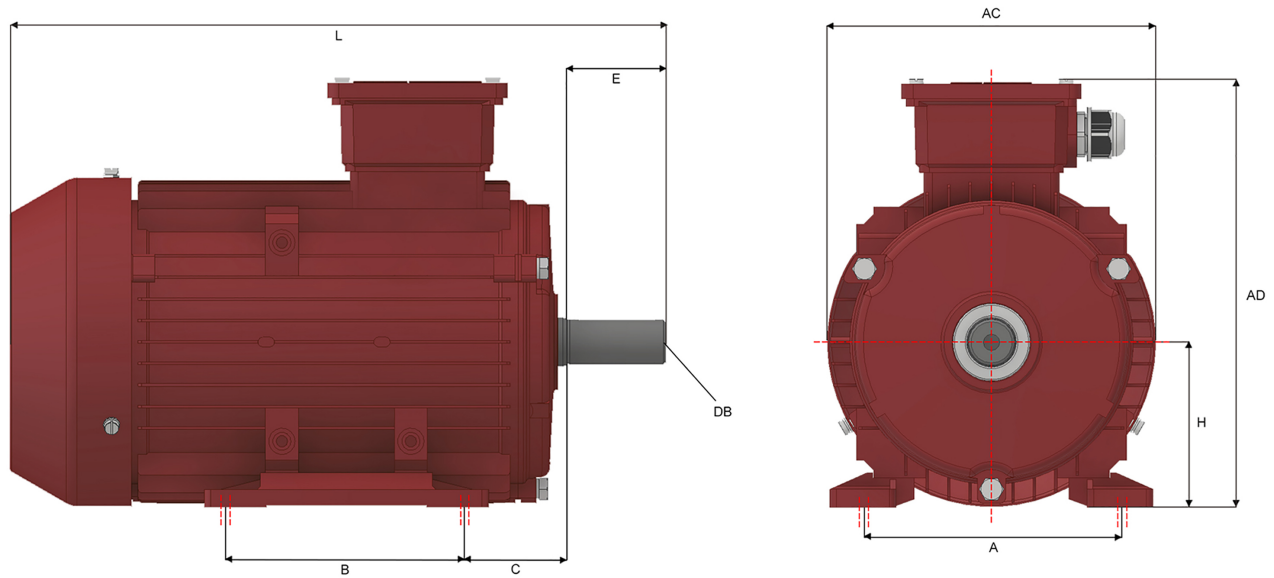
Visit [www.mep.ca](http://www.mep.ca) and select specific MaxMotion model for "AB", "O", & "P" Dimensions

Refer to your MEP catalog for "C" Dim.

FRAME	D	E	2F	H	U	N-W	AA	AH	AJ	AK	BA	BB (MIN)	BD (MAX)	H (HOLES)
48	3.00	2.12	2.75	.34 SLOT	.5000	1.50	1/2	1.69	3.750	3.000	2.50	.13	5.62	1/4-20
56	3.50	2.44	3.00	.34 SLOT	.6250	1.88	1/2	2.06	5.875	4.500	2.75	.13	6.50	3/8-16
56H	3.50	2.44	5.00	.34 SLOT	.6250	1.88	1/2	2.06	5.875	4.500	2.75	.13	6.50	3/8-16
143T	3.50	2.75	4.00	.34	.8750	2.25	3/4	2.12	5.875	4.500	2.25	.13	6.50	3/8-16
145T	3.50	2.75	5.00	.34	.8750	2.25	3/4	2.12	5.875	4.500	2.25	.13	6.50	3/8-16
182	4.50	3.75	4.50	.41	.8750	2.25	3/4	2.12	5.875	4.500	2.75	.13	6.50	3/8-16
184	4.50	3.75	5.50	.41	.8750	2.25	3/4	2.12	5.875	4.500	2.75	.13	6.50	3/8-16
182T	4.50	3.75	4.50	.41	1.125	2.75	3/4	2.62	7.250	8.500	2.75	.25	9.00	1/2-13
184T	4.50	3.75	5.50	.41	1.125	2.75	3/4	2.62	7.250	8.500	2.75	.25	9.00	1/2-13
213	5.25	4.25	5.50	.41	1.125	3.00	1	2.75	7.250	8.500	3.50	.25	9.00	1/2-13
215	5.25	4.25	7.00	.41	1.125	3.00	1	2.75	7.250	8.500	3.50	.25	9.00	1/2-13
213T	5.25	4.25	5.50	.41	1.375	3.38	1	3.12	7.250	8.500	3.50	.25	9.00	1/2-13
215T	5.25	4.25	7.00	.41	1.375	3.38	1	3.12	7.250	8.500	3.50	.25	9.00	1/2-13
254U	6.25	5.00	8.25	.53	1.375	3.75	1-1/4	3.50	7.250	8.500	4.25	.25	10.00	1/2-13
256U	6.25	5.00	10.00	.53	1.375	3.75	1-1/4	3.50	7.250	8.500	4.25	.25	10.00	1/2-13
254T	6.25	5.00	8.25	.53	1.625	4.00	1-1/4	3.75	7.250	8.500	4.25	.25	10.00	1/2-13
256T	6.25	5.00	10.00	.53	1.625	4.00	1-1/4	3.75	7.250	8.500	4.25	.25	10.00	1/2-13
284U	7.00	5.50	9.50	.53	1.625	4.88	1-1/2	4.62	9.000	10.500	4.75	.25	11.25	1/2-13
286U	7.00	5.50	11.00	.53	1.625	4.88	1-1/2	4.62	9.000	10.500	4.75	.25	11.25	1/2-13
284T	7.00	5.50	9.50	.53	1.875	4.62	1-1/2	4.38	9.000	10.500	4.75	.25	11.25	1/2-13
286T	7.00	5.50	11.00	.53	1.875	4.62	1-1/2	4.38	9.000	10.500	4.75	.25	11.25	1/2-13
284TS	7.00	5.50	9.50	.53	1.625	3.25	1-1/2	3.00	9.000	10.500	4.75	.25	11.25	1/2-13
286TS	7.00	5.50	11.00	.53	1.625	3.25	1-1/2	3.00	9.000	10.500	4.75	.25	11.25	1/2-13
324U	8.00	6.25	10.50	.66	1.875	5.62	2	5.38	11.000	12.500	5.25	.25	14.00	5/8-11
326U	8.00	6.25	12.00	.66	1.875	5.62	2	5.38	11.000	12.500	5.25	.25	14.00	5/8-11
324T	8.00	6.25	10.50	.66	2.125	5.25	2	5.00	11.000	12.500	5.25	.25	14.00	5/8-11
326T	8.00	6.25	12.00	.66	2.125	5.25	2	5.00	11.000	12.500	5.25	.25	14.00	5/8-11
324TS	8.00	6.25	10.50	.66	1.875	3.75	2	3.50	11.000	12.500	5.25	.25	14.00	5/8-11
326TS	8.00	6.25	12.00	.66	1.875	3.75	2	3.50	11.000	12.500	5.25	.25	14.00	5/8-11
364U	9.00	7.00	11.25	.66	2.125	6.38	2-1/2	6.12	11.000	12.500	5.88	.25	14.00	5/8-11
365U	9.00	7.00	12.25	.66	2.125	6.38	2-1/2	6.12	11.000	12.500	5.88	.25	14.00	5/8-11
364T	9.00	7.00	11.25	.66	2.375	5.88	2-1/2	5.62	11.000	12.500	5.88	.25	14.00	5/8-11
365T	9.00	7.00	12.25	.66	2.375	5.88	2-1/2	5.62	11.000	12.500	5.88	.25	14.00	5/8-11
364TS	9.00	7.00	11.25	.66	1.875	3.75	2-1/2	3.50	11.000	12.500	5.88	.25	14.00	5/8-11
365TS	9.00	7.00	12.25	.66	1.875	3.75	2-1/2	3.50	11.000	12.500	5.88	.25	14.00	5/8-11
404U	10.00	8.00	12.25	.81	2.375	7.12	3	6.88	11.000	12.500	6.62	.25	15.50	5/8-11
405U	10.00	8.00	13.75	.81	2.375	7.12	3	6.88	11.000	12.500	6.62	.25	15.50	5/8-11
404T	10.00	8.00	12.25	.81	2.875	7.25	3	7.00	11.000	12.500	6.62	.25	15.50	5/8-11
405T	10.00	8.00	13.75	.81	2.875	7.25	3	7.00	11.000	12.500	6.62	.25	15.50	5/8-11
404TS	10.00	8.00	12.25	.81	2.125	4.25	3	4.00	11.000	12.500	6.62	.25	15.50	5/8-11
405TS	10.00	8.00	13.75	.81	2.125	4.25	3	4.00	11.000	12.500	6.62	.25	15.50	5/8-11
444U	11.00	9.00	14.50	.81	2.875	8.62	3	8.38	14.000	16.000	7.50	.25	18.00	5/8-11
445U	11.00	9.00	16.50	.81	2.875	8.62	3	8.38	14.000	16.000	7.50	.25	18.00	5/8-11
444T	11.00	9.00	14.50	.81	3.375	8.50	3	8.25	14.000	16.000	7.50	.25	18.00	5/8-11
445T	11.00	9.00	16.50	.81	3.375	8.50	3	8.25	14.000	16.000	7.50	.25	18.00	5/8-11
444TS	11.00	9.00	14.50	.81	2.375	4.75	3	4.50	14.000	16.000	7.50	.25	18.00	5/8-11
445TS	11.00	9.00	16.50	.81	2.375	4.75	3	4.50	14.000	16.000	7.50	.25	18.00	5/8-11
447T	11.00	9.00	20.00	.81	3.375	8.50	3	8.25	14.000	16.000	7.50	.25	18.00	5/8-11
449T	11.00	9.00	25.00	.81	3.375	8.50	3	8.25	14.000	16.000	7.50	.25	18.00	5/8-11
447TS	11.00	9.00	20.00	.81	2.375	4.75	4 NPT	4.50	14.000	16.000	7.50	.25	18.00	5/8-11
449TS	11.00	9.00	25.00	.81	2.375	4.75	4 NPT	4.50	14.000	16.000	7.50	.25	18.00	5/8-11



# IEC QUICK REFERENCE KEY DIMENSIONS CHART

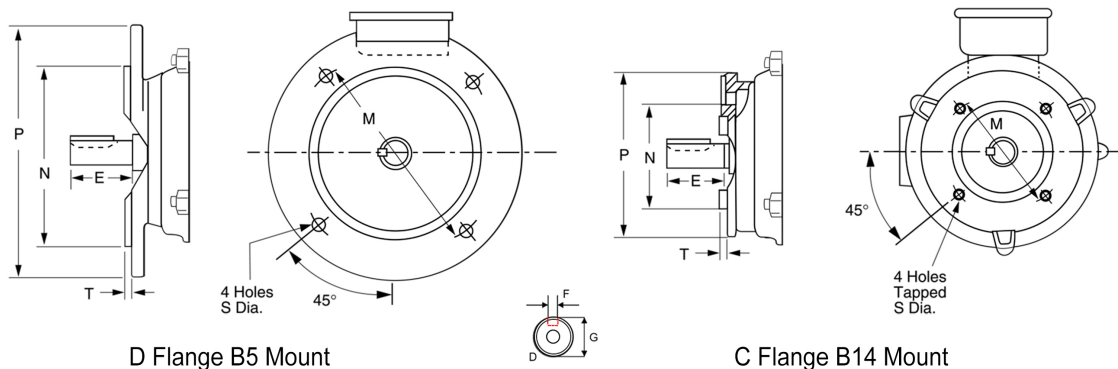


## IEC Frame Dimensions (Millimeters)

FRAME	Mounting				Shaft				General			B5 Flange			B14 Flange		
	A	B	C	H	D	E	F	DB	L	AC	AD	M	N	P	M	N	P
56	90	71	36	56	9	20	3	M3	199	113	97	100	80	120	65	50	80
63	100	80	40	63	11	23	4	M4	217	120	103	115	95	140	75	60	90
71	112	90	45	71	14	30	5	M5	245	136	112	130	110	160	85	70	105
80	125	100	50	80	19	40	6	M6	300	158	135	165	130	200	100	80	120
90 S	140	100	56	90	24	50	8	M8	320	175	138	165	130	200	115	95	140
90 L	140	125	56	90	24	50	8	M8	345	175	138	165	130	200	115	95	140
100L	160	140	63	100	28	60	8	M10	405	198	160	215	180	250	130	110	160
112M	190	140	70	112	28	60	8	M10	400	230	178	215	180	250	130	110	160
132 S	216	140	89	132	38	80	10	M12	445	258	188	265	230	300	165	130	200
132M	216	178	89	132	38	80	10	M12	485	258	188	265	230	300	165	130	200
160 M	254	210	108	160	42	110	12	M16	615	315	242	300	250	350	215	180	250
160L	254	254	108	160	42	110	12	M16	660	315	242	300	250	350	215	180	250
180 M	279	241	121	180	48	110	14	M16	652	355	267	300	250	350			
180 L	279	279	121	180	48	110	14	M16	690	355	267	300	250	350			
200 L	318	305	133	200	55	110	16	M20	746	400	304	350	300	400			
225 S	356	286	149	225	55*/60	110*/140	16*/18	M20	780	446	326	400	350	450			
225 M	356	311	149	225	55*/60	110*/140	16*/18	M20	810	446	326	400	350	450			
250 M	406	349	168	250	60*/65	140	18	M20	900	485	358	500	450	550			
280 S	457	368	190	280	65*/75	140	18*/20	M20	982	547	387	500	450	550			
280 M	457	419	190	280	65*/75	140	18*/20	M20	1033	547	387	500	450	550			
315 S	508	406	216	315	65*/80	140*/170	18*/20	M20	1208	620	527	550	600	660			
315 M	508	457	216	315	65*/80	140*/170	18*/20	M20	1318	620	527	550	600	660			
315 L	508	508	216	315	65*/80	140*/170	18*/20	M20	1388	620	527	550	600	660			

\* Denotes dimensions in mm for 2 Pole - 3600 RPM Motors

GENERAL Notes - Dimensions are specific to MaxMotion Design and may vary from different manufacturers



\*Speciality increasing/reducing flanges available on request



# TABLE OF CONTENTS

---

## GENERAL PURPOSE 3 PHASE MOTORS

	PAGE
TEFC Totally Enclosed Fan Cooled NEMA IP55 Cast Iron Construction	4, 5, 6, 7
ODP Open Drip Proof IP23 Rolled Steel and Cast Iron Construction	8, 9, 10
TEFC Totally Enclosed Fan Cooled IEC IP55 Aluminum and Cast Iron Construction	22, 23, 24, 25, 26, 27

## GENERAL PURPOSE 1 & 3 PHASE MOTORS

TEFC Totally Enclosed Fan Cooled Single Phase IP55 Rolled Steel Construction	20
TEFC Totally Enclosed Fan Cooled Three Phase 56C IP55 Rolled Steel Construction	18, 19

## DEFINITE PURPOSE MOTORS

TEFC Totally Enclosed Fan Cooled Close Coupled JM & JP Pump IP55 Cast Iron Construction	11, 12, 13
304 Stainless Steel Three Phase NEMA IP66	14, 15, 16, 17
304 Stainless Steel Three Phase IEC IP66	28, 29
TEFC Totally Enclosed Fan Cooled Three Phase 56J IP55 Rolled Steel Construction	21
DC Permanent Magnet (PMDC) 90 & 180VDC	31
DC Low Voltage 12, 24, 48VDC	32
HVAC, Heating, Ventilation, Refrigeration	30

## SPEED REDUCERS

Right Angle Aluminum Worm Reducers 5 to 100:1 NEMA Input	33
Right Angle 304 Stainless Steel Worm Reducers 5 to 100:1 NEMA Input	34

## MOTOR ACCESSORIES

Bases	35, 36
C & D NEMA Flanges, NEMA Drip Covers, B5 and B14 Flanges	37

# PREMIUM DESIGN B NEMA 12-12

CAST IRON CONSTRUCTION RIGID BASE

TEFC TOTALLY ENCLOSED FAN COOLED



## Features:

- MG-1 Design B and MG-1 Part 31
- Meets or exceeds NEMA Premium Efficiencies
- Factory Certified Division 2, Class I Groups A, B, C, D, Class II Groups F&G
- Meets Temperature Code T2B
- IP55 enclosure
- Rated and Nameplated 60/50 Hertz 190/380-415 or 380-415 @ 1.0 SF
- Inverter Duty 10:1 Constant Torque, 20:1 Variable Torque 1.0 SF meets MG1 parts 31.4.4.2
- 1.25 Service Factor 1-50HP, 1.15 60-300HP
- Class F Insulation
- F1 Standard Assembly, Reversible to F2 Assembly
- Provision to accept Drip Cover, See Accessories Page
- CSAus & CE Certified
- Three Year Warranty



HP	RPM	VOLTS	FRAME	CAT NO.	NOM EFF.	F.L. AMPS	WT (Lbs)	"C" DIMENSION (Inch)	C-FACE KITS	D-FLANGE KITS	FOOT NOTES
1	3600	208-230/460	143T	MQP-1	77	3.7-3.5/1.75	41	12.6	W 140TC	W 140TD	68
	3600	575	143T	MPP-1	77	1.4	41	12.6	W 140TC	W 140TD	
	1800	208-230/460	143T	MQP-2	85.5	3.2-3/1.5	47	13.6	W 140TC	W 140TD	68
	1800	575	143T	MPP-2	85.5	1.2	47	13.6	W 140TC	W 140TD	
	1200	208-230/460	145T	MQP-3	82.5	4-3.6/1.8	52	14.6	W 140TC	W 140TD	68
	1200	575	145T	MPP-3	82.5	1.44	52	14.6	W 140TC	W 140TD	
	900	208-230/460	182T	MQP-4	75.5	4.2-3.8/1.9	64	16.4	W 180TC	W 180TD	68
	900	575	182T	MPP-4	75.5	1.55	64	16.4	W 180TC	W 180TD	
1.5	3600	208-230/460	143T	MQP-6	84.1	4.4-4/2.2	46	13.6	W 140TC	W 140TD	68
	3600	575	143T	MPP-6	84.1	1.76	46	13.6	W 140TC	W 140TD	
	1800	208-230/460	145T	MQP-7	86.5	4.7-4.4/2.2	55	14.6	W 140TC	W 140TD	68
	1800	575	145T	MPP-7	86.5	1.8	55	14.6	W 140TC	W 140TD	
	1200	208-230/460	182T	MQP-8	87.5	5.2-4.8/2.4	95	16.1	W 180TC	W 180TD	68
	1200	575	182T	MPP-8	87.5	1.9	95	16.1	W 180TC	W 180TD	
	900	208-230/460	184T	MQP-9	78.5	5.97-5.4/2.7	64	17.1	W 180TC	W 180TD	68
	900	575	184T	MPP-9	78.5	2.16	64	17.1	W 180TC	W 180TD	
2	3600	208-230/460	145T	MQP-11	85.5	5.8-5.3/2.65	52	14.6	W 140TC	W 140TD	68
	3600	575	145T	MPP-11	85.5	2.05	52	14.6	W 140TC	W 140TD	
	1800	208-230/460	145T	MQP-12	86.5	6.6-6.2/3.1	56	14.6	W 140TC	W 140TD	68
	1800	575	145T	MPP-12	86.5	2.4	56	14.6	W 140TC	W 140TD	
	1200	208-230/460	184T	MQP-13	88.5	6.4-5.9/2.95	103	17.1	W 180TC	W 180TD	68
	1200	575	184T	MPP-13	88.5	2.4	103	17.1	W 180TC	W 180TD	
	900	208-230/460	213T	MQP-14	84	7.52-6.8/3.4	150	18.9	W 210TC	W 210TD	68
	900	575	213T	MPP-14	84	2.65	150	18.9	W 210TC	W 210TD	
3	3600	208-230/460	145T	MQP-16S	86.5	7.9-7.4/3.7	90	14.6	W 140TC	W 140TD	68
	3600	575	145T	MPP-16S	86.5	3	90	14.6	W 140TC	W 140TD	
	3600	208-230/460	182T	MQP-16	86.5	7.9-7.4/3.7	97	16.1	W 180TC	W 180TD	68
	3600	575	182T	MPP-16	86.5	3	97	16.1	W 180TC	W 180TD	
	1800	208-230/460	182T	MQP-17	89.5	8.2-7.6/4	97	16.1	W 180TC	W 180TD	68
	1800	575	182T	MPP-17	89.5	3.2	97	16.1	W 180TC	W 180TD	
	1200	208-230/460	213T	MQP-18	89.5	9.2-8.4/4.2	136	18.9	W 210TCP	N/A	68
	1200	575	213T	MPP-18	89.5	3.4	136	18.9	W 210TCP	N/A	
	900	208-230/460	215T	MQP-19	85.5	10.17-9.2/4.6	167	20.4	W 210TC	W 210TD	68
	900	575	215T	MPP-19	85.5	3.68	167	20.4	W 210TC	W 210TD	

## Footnotes:

\* 68 = Rated and Nameplated 60/50 Hertz

CHART CONTINUES ON NEXT PAGE



# PREMIUM DESIGN B NEMA 12-12

CAST IRON CONSTRUCTION RIGID BASE

TEFC TOTALLY ENCLOSED FAN COOLED



CHART CONTINUED FROM PREVIOUS PAGE

HP	RPM	VOLTS	FRAME	CAT NO.	NOM EFF.	F.L. AMPS	WT (Lbs)	"C" DIMENSION (Inch)	C-FACE KITS	D-FLANGE KITS	FOOT NOTES
5	3600	208-230/460	184T	MQP-21	88.5	13-11.6/5.8	110	17.1	W 180TC	W 180TD	68
	3600	575	184T	MPP-21	88.5	4.6	110	17.1	W 180TC	W 180TD	
	1800	208-230/460	184T	MQP-22	89.5	14-13.6/6.8	112	17.1	W 180TC	W 180TD	68
	1800	575	184T	MPP-22	89.5	5.4	112	17.1	W 180TC	W 180TD	
	1200	208-230/460	215T	MQP-23	89.5	15.6-14.2/7.1	162	20.4	W 210TCP	N/A	68
	1200	575	215T	MPP-23	89.5	5.68	162	20.4	W 210TCP	N/A	
	900	208-230/460	254T	MQP-24	86.5	17.69-16/8	286	23.2	W 250TC	W 250TD	68
	900	575	254T	MPP-24	86.5	6.5	286	23.2	W 250TC	W 250TD	
7.5	3600	208-230/460	184T	MQP-26S	86.5	18.8-17.6/8.8	134	17.1	W 180TC	W 180TD	68
	3600	575	184T	MPP-26S	89.5	7	134	17.1	W 180TC	W 180TD	
	3600	208-230/460	213T	MQP-26	89.5	18.8-17.6/8.8	150	18.9	W 210TC	W 210TD	68
	3600	575	213T	MPP-26	89.5	7	150	18.9	W 210TC	W 210TD	
	1800	208-230/460	213T	MQP-27	91.7	19.8-18.4/9.2	150	18.9	W 210TCP	N/A	68
	1800	575	213T	MPP-27	91.7	7.4	150	18.9	W 210TCP	N/A	
	1200	208-230/460	254T	MQP-28	91	23-20.8/10.4	272	23.2	W 250TC	W 250TD	68
	1200	575	254T	MPP-28	91	7.8	272	23.2	W 250TC	W 250TD	
	900	208-230/460	256T	MQP-29	86.5	26.54-24/11.5	315	25	W 250TC	W 250TD	68
	900	575	256T	MPP-29	86.5	9.6	315	25	W 250TC	W 250TD	
10	3600	208-230/460	215T	MQP-31	90.2	23.9-22.8/11.4	167	20.4	W 210TC	W 210TD	68
	3600	575	215T	MPP-31	90.2	9.1	167	20.4	W 210TC	W 210TD	
	1800	208-230/460	215T	MQP-32	91.7	26-24/12	167	20.4	W 210TCP	N/A	68
	1800	575	215T	MPP-32	91.7	9.6	167	20.4	W 210TCP	N/A	
	1200	208-230/460	256T	MQP-33	91	27.2-25.6/12.8	293	25	W 250TCP	W 250TDP	68
	1200	575	256T	MPP-33	91	10.2	293	25	W 250TCP	W 250TDP	
	900	208-230/460	284T	MQP-34	89.5	34.28-31/15.5	392	26.6	W 280TC	W 280TD	68
	900	575	284T	MPP-34	89.5	12.5	392	26.6	W 280TC	W 280TD	
15	3600	208-230/460	215T	MQP-36S	91	36.2-34.4/17.2	162	20.4	W 210TCP	N/A	68
	3600	575	215T	MPP-36S	91	13.8	162	20.4	W 210TCP	N/A	
	3600	208-230/460	254T	MQP-36	91	36.2-34.4/17.2	286	23.2	W 250TC	W 250TD	68
	3600	575	254T	MPP-36	91	13.8	286	23.2	W 250TC	W 250TD	
	1800	208-230/460	254T	MQP-37	92.4	37.2-36.4/18.2	297	23.2	W 250TCP	W 250TDP	68
	1800	575	254T	MPP-37	92.4	14.6	297	23.2	W 250TCP	W 250TDP	
	1200	208-230/460	284T	MQP-38	91.7	41-38/19	363	26.6	W 280TC	W 280TD	68
	1200	575	284T	MPP-38	91.7	15.2	363	26.6	W 280TC	W 280TD	
	900	208-230/460	286T	MQP-39	89.5	50.87-46/23	394	28.1	W 280TC	W 280TD	68
	900	575	286T	MPP-39	89.5	18.5	394	28.1	W 280TC	W 280TD	
20	3600	208-230/460	256T	MQP-41	91	48.5-46/23	315	25	W 250TC	W 250TD	68
	3600	575	256T	MPP-41	91	18.4	315	25	W 250TC	W 250TD	
	1800	208-230/460	256T	MQP-42	93	51.8-48.4/24.2	315	25	W 250TCP	W 250TDP	68
	1800	575	256T	MPP-42	93	19.1	315	25	W 250TCP	W 250TDP	
	1200	208-230/460	284T	MQP-43	91.7	54.7-50/25	394	28.1	W 280TC	W 280TD	68
	1200	575	284T	MPP-43	91.7	20	394	28.1	W 280TC	W 280TD	
	900	208-230/460	324T	MQP-44	90.2	64.13-58/28	444	29.8	W 280TC	W 280TD	68
	900	575	324T	MPP-44	90.2		444	29.8	W 280TC	W 280TD	

**Footnotes:**

\* 68 = Rated and Nameplated 60/50 Hertz

CHART CONTINUES ON NEXT PAGE



# PREMIUM DESIGN B NEMA 12-12

CAST IRON CONSTRUCTION RIGID BASE

TEFC TOTALLY ENCLOSED FAN COOLED



CHART CONTINUED FROM PREVIOUS PAGE

HP	RPM	VOLTS	FRAME	CAT NO.	NOM EFF.	F.L. AMPS	WT (Lbs)	"C" DIMENSION (Inch)	C-FACE KITS	D-FLANGE KITS	FOOT NOTES
25	3600	208-230/460	284TS	MQP-46	91.7	61-57/28.5	385	25.2	W 280TC	W 280TD	68
	3600	575	284TS	MPP-46	91.7	22.4	385	25.2	W 280TC	W 280TD	
	1800	208-230/460	284T	MQP-47	93.6	65-60/30	392	26.6	W 280TC	W 280TD	68
	1800	575	284T	MPP-47	93.6	24	392	26.6	W 280TC	W 280TD	
	1200	208-230/460	324T	MQP-48	93	67-61/30.5	508	29.8	W 320TC	W 320TD	68
	1200	575	324T	MPP-48	93	24.4	508	29.8	W 320TC	W 320TD	
	900	208-230/460	326T	MQP-49	90.2	84.04-76/38	469	31.3	W 320TC	W 320TD	68
	900	575	326T	MPP-49	90.2	30.5	469	31.3	W 320TC	W 320TD	
30	3600	208-230/460	286TS	MQP-51	91.7	74-69/34.5	409	26.7	W 280TC	W 280TD	68
	3600	575	286TS	MPP-51	91.7	27.6	409	26.7	W 280TC	W 280TD	
	1800	208-230/460	286T	MQP-52	93.6	76-70.6/35.3	418	28.1	W 280TC	W 280TD	68
	1800	575	286T	MPP-52	93.6	28.2	418	28.1	W 280TC	W 280TD	
	1200	208-230/460	326T	MQP-53	93	78-71.8/35.9	537	31.3	W 320TC	W 320TD	68
	1200	575	326T	MPP-53	93	28.7	537	31.3	W 320TC	W 320TD	
	900	208-230/460	364T	MQP-54	91.7	97.31-88/44	607	32.5	W 360TC	W 360TD	68
	900	575	364T	MPP-54	91.7	35	607	32.5	W 360TC	W 360TD	
40	3600	208-230/460	324TS	MQP-56	92.4	94.9-91/45.5	510	28.3	W 320TC	W 320TD	68
	3600	575	324TS	MPP-56	92.4	36.4	510	28.3	W 320TC	W 320TD	
	1800	208-230/460	324T	MQP-57	94.1	100-93.2/46.6	519	29.8	W 320TC	W 320TD	68
	1800	575	324T	MPP-57	94.1	37.3	519	29.8	W 320TC	W 320TD	
	1200	208-230/460	364T	MQP-58	94.1	110-100/50	697	32.5	W 360TCP	W 360TDP	68
	1200	575	364T	MPP-58	94.1	40	697	32.5	W 360TCP	W 360TDP	
	900	208-230/460	365T	MQP-59	91.7	123.85-112/56	902	33.5	W 360TC	W 360TD	68
	900	575	365T	MPP-59	91.7	36	902	33.5	W 360TC	W 360TD	
50	3600	208-230/460	324TS	MQP-61	93	124-116.2/58.1	548	29.8	W 320TC	W 320TD	68
	3600	575	324TS	MPP-61	93	46.4	548	29.8	W 320TC	W 320TD	
	1800	208-230/460	326T	MQP-62	93	124-116.2/58.1	594	31.3	W 320TC	W 320TD	68
	1800	575	326T	MPP-62	94.5	46.6	594	31.3	W 320TC	W 320TD	
	1200	208-230/460	364T	MQP-63	94.1	139-126/63	752	33.5	W 360TCP	W 360TDP	68
	1200	575	364T	MPP-63	94.1	50	752	33.5	W 360TCP	W 360TDP	
	900	208-230/460	404T	MQP-64	92.4	147.07-133/66.5	902	38	W 360TC	W 360TD	68
	900	575	404T	MPP-64	92.4	53.2	902	38	W 360TC	W 360TD	
60	3600	208-230/460	364TS	MQP-66	93.6	146-132/66	704	31.4	W 360TC	W 360TD	68
	3600	575	364TS	MPP-66	93.6	52.8	704	31.4	W 360TC	W 360TD	
	1800	208-230/460	364T	MQP-67	95	154-139/69.5	766	32.5	W 360TCP	W 360TDP	68
	1800	575	364T	MPP-67	95	55.6	766	32.5	W 360TDP	W 360TDP	
	1200	208-230/460	404T	MQP-68	94.5	154-140/70	1000	38	W 400TCP	W 400TDP	68, RB
	1200	575	404T	MPP-68	94.5	56	1000	38	W 400TCP	W 400TDP	RB
	900	208-230/460	405T	MQP-69	92.4	176.92-160/80	1010	38	W 400TC	W 400TD	68, RB
	900	575	405T	MPP-69	92.4	64	1010	38	W 400TC	W 400TD	RB
75	3600	208-230/460	365TS	MQP-71	93.6	184-166/83	766	31.4	W 360TC	W 360TD	68
	3600	575	365TS	MPP-71	93.6	66.5	766	31.4	W 360TC	W 360TD	
	1800	208-230/460	365T	MQP-72	95.4	193-174/87	783	33.5	W 360TCP	W 360TDP	68
	1800	575	365T	MPP-72	95.4	70	783	33.5	W 360TCP	W 360TDP	
	1200	208-230/460	405T	MQP-73	94.5	196.8-178/89	1120	38	W 400TCP	W 400TDP	68, RB
	1200	575	405T	MPP-73	94.5	70	1120	38	W 400TCP	W 400TDP	RB
	900	460	444T	MQP-74	93.6	214.52-194/97	1353	44.3	W 440TC	W 440TD	68, RB
	900	575	444T	MPP-74	93.6	77.6	1353	44.3	W 440TC	W 440TD	RB

**Footnotes:**

- \* 68 = Rated and Nameplated 60/50 Hertz
- \* RB = Roller Bearing Installed on DE

CHART CONTINUES ON NEXT PAGE





# PREMIUM DESIGN B NEMA 12-12

CAST IRON CONSTRUCTION RIGID BASE

TEFC TOTALLY ENCLOSED FAN COOLED



CHART CONTINUED FROM PREVIOUS PAGE

HP	RPM	VOLTS	FRAME	CAT NO.	NOM EFF.	F.L. AMPS	WT (Lbs)	"C" DIMENSION (Inch)	C-FACE KITS	D-FLANGE KITS	FOOT NOTES
100	3600	208-230/460	405TS	MQP-76	94.1	243.3-220/110	1040	35	W 400TC	W 400TD	68
	3600	575	405TS	MPP-76	94.1	89	1040	35	W 400TC	W 400TD	
	1800	208-230/460	405T	MQP-77	95.4	248-224/112	1058	38	W 400TCP	W 400TDP	68, RB
	1800	575	405T	MPP-77	95.4	89.6	1058	38	W 400TCP	W 400TDP	68, RB
	1200	460	444T	MQP-78	95	122	1320	44.3	W 440TCP	W 440TDP	68, RB
	1200	575	444T	MPP-78	95	96	1320	44.3	W 440TCP	W 440TDP	RB
	900	460	445T	MQP-79	93.6	126	1373	44.3	W 440TC	W 440TD	68, RB
	900	575	445T	MPP-79	93.6	100.8	1373	44.3	W 440TC	W 440TD	RB
125	3600	460	444TS	MQP-81	95	140	1247	40.6	W 440TCP	W 440TDP	68
	3600	575	444TS	MPP-81	95	111	1247	40.6	W 440TCP	W 440TDP	
	1800	460	444T	MQP-82	95.4	145	1342	44.3	W 440TC	W 440TD	68, RB
	1800	575	444T	MPP-82	95.4	115	1342	44.3	W 440TC	W 440TC	RB
	1200	460	445T	MQP-83	95	147	1400	44.3	W 440TCP	W 440TDP	68, RB
	1200	575	445T	MPP-83	95	117.6	1400	44.3	W 440TCP	W 440TDP	RB
	900	460	447T	MQP-84	94.1	158	1680	47.8	W 440TC	W 440TD	68, RB
	900	575	447T	MPP-84	94.1	126.4	1680	47.8	W 440TC	W 440TD	RB
150	3600	460	445TS	MQP-86	95	166	1408	40.6	W 440TCP	W 440TDP	68
	3600	575	445TS	MPP-86	95	133	1408	40.6	W 440TCP	W 440TDP	RB
	1800	460	445T	MQP-87	95.8	171	1672	47.8	W 440TCP	W 440TDP	68, RB
	1800	575	445T	MPP-87	95.8	137	1672	47.8	W 440TCP	W 440TDP	RB
	1200	460	447T	MQP-88	95.8	173	1800	47.8	W 440TCP	W 440TDP	68, RB
	1200	575	447T	MPP-88	95.8	138	1800	47.8	W 440TCP	W 440TDP	RB
	900	460	449T	MQP-89	94.1	186	1800	52.8	W 440TC	W 440TD	68, RB
	900	575	449T	MPP-89	94.1	148.8	1800	52.8	W 440TC	W 440TD	RB
200	3600	460	447TS	MQP-96	95.4	222	2185	44.1	W 440TCP	W 440TDP	68
	3600	575	447TS	MPP-96	95.4	170	2185	44.1	W 440TCP	W 440TDP	
	1800	460	447T	MQP-97	96.2	220	2260	47.8	W 440TCP	W 440TDP	68, RB
	1800	575	447T	MPP-97	96.2	176	2260	47.8	W 440TCP	W 440TDP	RB
	1200	460	449T	MQP-98	95.8	220	3100	52.8	W 440TCP	W 440TDP	68, RB
	1200	575	449T	MPP-98	95.8	184	3100	52.8	W 440TCP	W 440TDP	RB
250	3600	460	449TS	MQP-101	95.8	266	2700	49.1	W 440TCP	W 440TDP	68
	3600	575	449TS	MPP-101	95.8	212.6	2700	49.1	W 440TCP	W 440TDP	
	1800	460	449T	MQP-102	96.2	275	3100	52.8	W 440TCP	W 440TDP	68, RB
	1800	575	449T	MPP-102	96.2	220	3100	52.8	W 440TCP	W 440TDP	68
300	3600	460	449TS	MQP-106	95.8	320	2900	49.1	W 440TCP	W 440TDP	68
	3600	575	449TS	MPP-106	95.8	256	2900	49.1	W 440TCP	W 440TDP	
	1800	460	449T	MQP-107	330	330	3220	52.8	W 440TCP	W 440TDP	68, RB
	1800	575	449T	MPP-107	96.2	264	3220	52.8	W 440TCP	W 440TDP	RB

**Footnotes:**

- \* 68 = Rated and Nameplated 60/50 Hertz
- \* RB = Roller Bearing Installed on DE



# PREMIUM DESIGN B NEMA 12-12

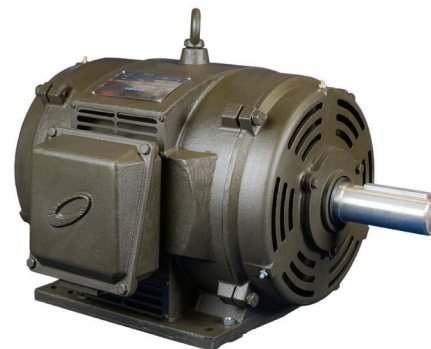
ROLLED STEEL & CAST IRON CONSTRUCTION RIGID BASE

ODP OPEN DRIPROOF



## Features:

- MG-1 Design B and MG-1 Part 31
- Meets or exceeds NEMA Premium Efficiencies
- IP23 enclosure
- Rated and Nameplated 60/50 Hertz 190/380-415 or 380-415 @ 1.0 SF
- Inverter Duty 10:1 Constant Torque, 20:1 Variable Torque 1.0 SF meets MG1 parts 31.4.4.2
- Class F Insulation
- 1.15 Service Factor
- F1 Standard Assembly, Reversible to F2 Assembly
- Provision to accept Drip Cover, See Accessories Page
- CSAus & CE Certified
- Three Year Warranty



HP	RPM	VOLTS	FRAME	CAT NO.	CONSTRUCTION	NOM EFF.	F.L. AMPS	WT (Lbs)	"C" DIMENSION (Inch)	C-FACE KITS	D-FLANGE KITS	FOOT NOTES
1	3600	208-230/460	143T	MQOP-1	Rolled Steel	77	3.5-3.2/1.6	41	11.2	W 140TCO-6205	W 140TDO-6205	68
	3600	575	143T	MPOP-1	Rolled Steel	77	1.3	41	11.2	W 140TCO-6205	W 140TDO-6205	
	1800	208-230/460	143T	MQOP-2	Rolled Steel	85.5	3.5-3.2/1.5	47	11.2	W 140TCO-6205	W 140TDO-6205	68
	1800	575	143T	MPOP-2	Rolled Steel	85.5	1.3	47	12	W 140TCO-6205	W 140TDO-6205	
	1200	208-230/460	145T	MQOP-3	Rolled Steel	82.5	3.7-3.4/1.7	52	12	W 140TCO-6205	W 140TDO-6205	68
	1200	575	145T	MPOP-3	Rolled Steel	82.5	1.4	52	12	W 140TCO-6205	W 140TDO-6205	
1.5	3600	208-230/460	143T	MQOP-6	Rolled Steel	84	4.4-4/2	46	11.2	W 140TCO-6205	W 140TDO-6205	68
	3600	575	143T	MPOP-6	Rolled Steel	84	1.6	46	11.2	W 140TCO-6205	W 140TDO-6205	
	1800	208-230/460	145T	MQOP-7	Rolled Steel	86.5	5.1-4.6/2.3	55	12	W 140TCO-6205	W 140TDO-6205	68
	1800	575	145T	MPOP-7	Rolled Steel	86.5	1.9	55	12	W 140TCO-6205	W 140TDO-6205	
	1200	208-230/460	182T	MQOP-8	Rolled Steel	86.5	5.3-4.8/2.4	95	14.1	W 180TCO-6206	W 180TDO-6206	68
	1200	575	182T	MPOP-8	Rolled Steel	86.5	1.9	95	14.1	W 180TCO-6206	W 180TDO-6206	
2	3600	208-230/460	145T	MQOP-11	Rolled Steel	85.5	5.7-5.2/2.6	52	12	W 140TCO-6205	W 140TDO-6205	68
	3600	575	145T	MPOP-11	Rolled Steel	85.5	2.1	52	12	W 140TCO-6205	W 140TDO-6205	
	1800	208-230/460	145T	MQOP-12	Rolled Steel	86.5	6.6-6/3	56	12	W 140TCO-6205	W 140TDO-6205	68
	1800	575	145T	MPOP-12	Rolled Steel	86.5	2.4	56	12	W 140TCO-6205	W 140TDO-6205	
	1200	208-230/460	184T	MQOP-13	Rolled Steel	87.5	6.6-6/3	103	14.9	W 180TCO-6206	W 180TDO-6206	68
	1200	575	184T	MPOP-13	Rolled Steel	87.5	2.4	103	14.9	W 180TCO-6206	W 180TDO-6206	
3	3600	208-230/460	145T	MQOP-16	Rolled Steel	85.5	8.1-7.4/3.7	90	12	W 140TCO-6205	W 140TDO-6205	68
	3600	575	145T	MPOP-16	Rolled Steel	85.5	3	90	12	W 140TCO-6205	W 140TDO-6205	
	1800	208-230/460	182T	MQOP-17	Rolled Steel	89.5	9-8.2/4.1	97	14.1	W 180TCO-6206	W 180TDO-6206	68
	1800	575	182T	MPOP-17	Rolled Steel	89.5	3.3	97	14.1	W 180TCO-6206	W 180TDO-6206	
	1200	208-230/460	213T	MQOP-18	Rolled Steel	88.5	9.5-8.6/4.3	136	16.54	W 210TCO-6208	N/A	68
	1200	575	213T	MPOP-18	Rolled Steel	88.5	3.4	136	16.54	W 210TCO-6208	N/A	
5	3600	208-230/460	184T	MQOP-21	Rolled Steel	86.5	13.6-12.4/6.2	110	14.9	W 180TCO-6206	W 180TDO-6206	68
	3600	575	184T	MPOP-21	Rolled Steel	86.5	5	110	14.9	W 180TCO-6206	W 180TDO-6206	
	1800	208-230/460	184T	MQOP-22	Rolled Steel	89.5	14.7-13.4/6.7	112	14.9	W 180TCO-6206	W 180TDO-6206	68
	1800	575	184T	MPOP-22	Rolled Steel	89.5	5.4	112	14.9	W 180TCO-6206	W 180TDO-6206	
	1200	208-230/460	215T	MQOP-23	Rolled Steel	89.5	15.4-14/7	162	17.52	W 210TCO-6208	N/A	68
	1200	575	215T	MPOP-23	Rolled Steel	89.5	5.6	162	17.52	W 210TCO-6208	N/A	
7.5	3600	208-230/460	184T	MQOP-26	Rolled Steel	88.5	19.4-17.6/8.8	145	14.9	W 180TCO-6206	W 180TDO-6206	68
	3600	575	184T	MPOP-26	Rolled Steel	88.5	7	145	14.9	W 180TCO-6206	W 180TDO-6206	
	1800	208-230/460	213T	MQOP-27	Rolled Steel	91	21.1-19.2/9.6	150	16.54	W 210TCO-6208	N/A	68
	1800	575	213T	MPOP-27	Rolled Steel	91	7.7	150	16.54	W 210TCO-6208	N/A	
	1200	208-230/460	254T	MQOP-28	Cast Iron	90.2	22.9-20.8/10.4	272	22.15	W 250TCO-6309	W 250TDO-6309	68
	1200	575	254T	MPOP-28	Cast Iron	90.2	8.3	272	22.15	W 250TCO-6309	W 250TDO-6309	

## Footnotes:

\* 68 = Rated and Nameplated 60/50 Hertz

CHART CONTINUES ON NEXT PAGE



**PREMIUM DESIGN B NEMA 12-12**  
**ROLLED STEEL & CAST IRON CONSTRUCTION RIGID BASE**  
 ODP OPEN DRIPROOF



CHART CONTINUED FROM PREVIOUS PAGE

HP	RPM	VOLTS	FRAME	CAT NO.	CONSTRUCTION	NOM EFF.	F.L. AMPS	WT (Lbs)	"C" DIMENSION (Inch)	C-FACE KITS	D-FLANGE KITS	FOOT NOTES
10	3600	208-230/460	215T	MQOP-31	Rolled Steel	89.5	28.2-25.6/12.8	167	17.52	W 210TCO-6208	N/A	68
	3600	575	215T	MPOP-31	Rolled Steel	89.5	10.2	167	17.52	W 210TCO-6208	N/A	
	1800	208-230/460	215T	MQOP-32	Rolled Steel	91.7	28.6-26/13	167	17.52	W 210TCO-6208	N/A	68
	1800	575	215T	MPOP-32	Rolled Steel	91.7	10.5	167	17.52	W 210TCO-6208	N/A	
	1200	208-230/460	256T	MQOP-33	Cast Iron	91.7	29.7-27/13.5	293	22.15	W 250TCO-6309	W 250TDO-6309	68
	1200	575	256T	MPOP-33	Cast Iron	91.7	10.8	293	22.15	W 250TCO-6309	W 250TDO-6309	
15	3600	208-230/460	215T	MQOP-36	Rolled Steel	90.2	41.8-38/19	286	17.52	W 210TCO-6208	N/A	68
	3600	575	215T	MPOP-36	Rolled Steel	90.2	15.5	286	17.52	W 210TCO-6208	N/A	
	1800	208-230/460	254T	MQOP-37	Cast Iron	93	40-36/18	297	22.15	W 250TCO-6309	W 250TDO-6309	68
	1800	575	254T	MPOP-37	Cast Iron	93	14.4	297	22.15	W 250TCO-6309	W 250TDO-6309	
	1200	208-230/460	284T	MQOP-38	Cast Iron	91.7	44-40/20	363	24.8	W 280TCO-6311	W 280TDO-6311	68
	1200	575	284T	MPOP-38	Cast Iron	91.7	16	363	24.8	W 280TCO-6311	W 280TDO-6311	
20	3600	208-230/460	254T	MQOP-41	Cast Iron	91	51-46/23	315	22.15	W 250TCO-6309	W 250TDO-6309	68
	3600	575	254T	MPOP-41	Cast Iron	91	18.5	315	22.15	W 250TCO-6309	W 250TDO-6309	
	1800	208-230/460	256T	MQOP-42	Cast Iron	93	53-48/24	315	22.15	W 250TCO-6309	W 250TDO-6309	68
	1800	575	256T	MPOP-42	Cast Iron	93	19.2	315	22.15	W 250TCO-6309	W 250TDO-6309	
	1200	208-230/460	284T	MQOP-43	Cast Iron	92.4	57-52/26	394	24.8	W 280TCO-6311	W 280TDO-6311	68
	1200	575	284T	MPOP-43	Cast Iron	92.4	21	394	24.8	W 280TCO-6311	W 280TDO-6311	
25	3600	208-230/460	256T	MQOP-46	Cast Iron	91.7	63-57/28.5	385	22.15	W 250TCO-6309	W 250TDO-6309	68
	3600	575	256T	MPOP-46	Cast Iron	91.7	23	385	22.15	W 250TCO-6309	W 250TDO-6309	
	1800	208-230/460	284T	MQOP-47	Cast Iron	93.6	66-60/30	392	24.8	W 280TCO-6311	W 280TDO-6311	68
	1800	575	284T	MPOP-47	Cast Iron	93.6	24	392	24.8	W 280TCO-6311	W 280TDO-6311	
	1200	208-230/460	324T	MQOP-48	Cast Iron	93	70-64/32	508	27.1	W 320TCO-6312	W 320TDO-6312	68
	1200	575	324T	MPOP-48	Cast Iron	93	26	508	27.1	W 320TCO-6312	W 320TDO-6312	
30	3600	208-230/460	284TS	MQOP-51	Cast Iron	91.7	77-70/35	409	23.43	W 280TCO-6311	W 280TDO-6311	68
	3600	575	284TS	MPOP-51	Cast Iron	91.7	28	409	23.43	W 280TCO-6311	W 280TDO-6311	
	1800	208-230/460	286T	MQOP-52	Cast Iron	94.1	77-70/35	418	24.8	W 280TCO-6311	W 280TDO-6311	68
	1800	575	286T	MPOP-52	Cast Iron	94.1	28	418	24.8	W 280TCO-6311	W 280TDO-6311	
	1200	208-230/460	326T	MQOP-53	Cast Iron	93.6	84-76/38	537	27.1	W 320TCO-6312	W 320TDO-6312	68
	1200	575	326T	MPOP-53	Cast Iron	93.6	30.5	537	27.1	W 320TCO-6312	W 320TDO-6312	
40	3600	208-230/460	286TS	MQOP-56	Cast Iron	92.4	99-90/45	510	23.43	W 280TCO-6311	W 280TDO-6311	68
	3600	575	286TS	MPOP-56	Cast Iron	92.4	36	510	23.43	W 280TCO-6311	W 280TDO-6311	
	1800	208-230/460	324T	MQOP-57	Cast Iron	94.1	106-96/48	519	27.1	W 320TCO-6312	W 320TDO-6312	68
	1800	575	324T	MPOP-57	Cast Iron	94.1	38.4	519	27.1	W 320TCO-6312	W 320TDO-6312	
	1200	208-230/460	364T	MQOP-58	Cast Iron	94.1	110-100/50	697	29.3	W 360TCO-6313	W 360TDO-6313	68
	1200	575	364T	MPOP-58	Cast Iron	94.1	40	697	29.3	W 360TCO-6313	W 360TDO-6313	
50	3600	208-230/460	324TS	MQOP-61	Cast Iron	93	122-110/55	548	25.6	W 320TCO-6312	W 320TDO-6312	68
	3600	575	324TS	MPOP-61	Cast Iron	93	44	548	25.6	W 320TCO-6312	W 320TDO-6312	
	1800	208-230/460	326T	MQOP-62	Cast Iron	94.5	130-118/59	594	27.1	W 320TCO-6312	W 320TDO-6312	68
	1800	575	326T	MPOP-62	Cast Iron	94.5	48	594	27.1	W 320TCO-6312	W 320TDO-6312	
	1200	208-230/460	365T	MQOP-63	Cast Iron	94.1	139-126/63	752	29.3	W 360TCO-6313	W 360TDO-6313	68
	1200	575	365T	MPOP-63	Cast Iron	94.1	50	752	29.3	W 360TCO-6313	W 360TDO-6313	
60	3600	208-230/460	326TS	MQOP-66	Cast Iron	93.6	145-132/66	704	25.6	W 320TCO-6312	W 320TDO-6312	68
	3600	575	326TS	MPOP-66	Cast Iron	93.6	52.8	704	25.6	W 320TCO-6312	W 320TDO-6312	
	1800	208-230/460	364T	MQOP-67	Cast Iron	95	154-140/70	766	29.3	W 360TCO-6313	W 360TDO-6313	68
	1800	575	364T	MPOP-67	Cast Iron	95	56	766	29.3	W 360TCO-6313	W 360TDO-6313	
	1200	208-230/460	404T	MQOP-68	Cast Iron	94.5	154-140/70	1000	33.3	W 400TCO-6318	W 400TDO-6318	68, RB
	1200	575	404T	MPOP-68	Cast Iron	94.5	56	1000	33.3	W 400TCO-6318	W 400TDO-6318	RB

**Footnotes:**

- \* 68 = Rated and Nameplated 60/50 Hertz
- \* RB = Roller Bearing Installed on DE

CHART CONTINUES ON NEXT PAGE



# PREMIUM DESIGN B NEMA 12-12

ROLLED STEEL & CAST IRON CONSTRUCTION RIGID BASE

ODP OPEN DRIPROOF



CHART CONTINUED FROM PREVIOUS PAGE

HP	RPM	VOLTS	FRAME	CAT NO.	CONSTRUCTION	NOM EFF.	F.L. AMPS	WT (Lbs)	"C" DIMENSION (Inch)	C-FACE KITS	D-FLANGE KITS	FOOT NOTES
75	3600	208-230/460	364TS	MQOP-71	Cast Iron	93.6	183-166/83	766	27.17	W 360TCO-6313	W 360TDO-6313	68
	3600	575	364TS	MPOP-71	Cast Iron	93.6	67	766	27.17	W 360TCO-6313	W 360TDO-6313	
	1800	208-230/460	365T	MQOP-72	Cast Iron	95	191-174/87	783	29.3	W 360TCO-6313	W 360TDO-6313	68
	1800	575	365T	MPOP-72	Cast Iron	95	70	783	29.3	W 360TCO-6313	W 360TDO-6313	
	1200	208-230/460	405T	MQOP-73	Cast Iron	94.5	192-174/87	1120	33.3	W 400TCO-6318	W 400TDO-6318	68, RB
	1200	575	405T	MPOP-73	Cast Iron	94.5	70	1120	33.3	W 400TCO-6318	W 400TDO-6318	RB
100	3600	208-230/460	365TS	MQOP-76	Cast Iron	93.6	245-222/112	1040	27.17	W 360TCO-6313	W 360TDO-6313	68
	3600	575	365TS	MPOP-76	Cast Iron	93.6	90	1040	27.17	W 360TCO-6313	W 360TDO-6313	
	1800	208-230/460	404T	MQOP-77	Cast Iron	95.4	246-224/112	1058	33.3	W 400TCO-6318	W 400TDO-6318	68, RB
	1800	575	404T	MPOP-77	Cast Iron	95.4	90	1058	33.3	W 400TCO-6318	W 400TDO-6318	RB
	1200	208-230/460	444T	MQOP-78	Cast Iron	95	257-234/117	1320	39.5	W 440TCO-6319	W 440TDO-6319	68, RB
	1200	575	444T	MPOP-78	Cast Iron	95	94	1320	39.5	W 440TCO-6319	W 440TDO-6319	RB
125	3600	460	404TS	MQOP-81	Cast Iron	94.1	138	1247	33.3	W 400TSCO-6314	W 400TSCO-6314	68
	3600	575	404TS	MPOP-81	Cast Iron	94.1	110	1247	33.3	W 400TSCO-6314	W 400TSCO-6314	
	1800	460	405T	MQOP-82	Cast Iron	95.4	141	1342	33.3	W 400TCO-6318	W 400TDO-6318	68, RB
	1800	575	405T	MPOP-82	Cast Iron	95.4	113	1342	33.3	W 400TCO-6318	W 400TDO-6318	RB
	1200	460	445T	MQOP-83	Cast Iron	95	146	1400	39.5	W 440TCO-6319	W 440TDO-6319	68, RB
	1200	575	445T	MPOP-83	Cast Iron	95	118	1400	39.5	W 440TCO-6319	W 440TDO-6319	RB
150	3600	460	405TS	MQOP-86	Cast Iron	94.1	166	1408	33.3	W 400TSCO-6314	W 400TSCO-6314	68
	3600	575	405TS	MPOP-86	Cast Iron	94.1	132	1408	33.3	W 400TSCO-6314	W 400TSCO-6314	
	1800	460	444T	MQOP-87	Cast Iron	95.8	167	1672	39.5	W 440TCO-6319	W 440TDO-6319	68, RB
	1800	575	444T	MPOP-87	Cast Iron	95.8	134	1672	39.5	W 440TCO-6319	W 440TDO-6319	RB
	1200	460	447T	MQOP-88	Cast Iron	95.4	173	1800	43	W 440TCO-6319	W 440TDO-6319	68, RB
	1200	575	447T	MPOP-88	Cast Iron	95.4	138	1800	43	W 440TCO-6319	W 440TDO-6319	RB
200	3600	460	444TS	MQOP-96	Cast Iron	95	219	1584	34.75	W 440TSCO-6314	W 440TSDO-6314	68
	3600	575	444TS	MPOP-96	Cast Iron	95	175	1584	34.75	W 440TSCO-6314	W 440TSDO-6314	
	1800	460	445T	MQOP-97	Cast Iron	95.8	220	1782	39.5	W 440TCO-6319	W 440TDO-6319	68, RB
	1800	575	445T	MPOP-97	Cast Iron	95.8	176	1782	39.5	W 440TCO-6319	W 440TDO-6319	RB
	1200	460	449T	MQOP-98	Cast Iron	95.4	230	2100	48	W 440TCO-6319	W 440TDO-6319	68, RB
	1200	575	449T	MPOP-98	Cast Iron	95.4	185	2100	48	W 440TCO-6319	W 440TDO-6319	RB
250	3600	460	445TS	MQOP-101	Cast Iron	95	270	1870	34.75	W 440TSCO-6314	W 440TSDO-6314	68
	3600	575	445TS	MPOP-101	Cast Iron	95	216	1870	34.75	W 440TSCO-6314	W 440TSDO-6314	
	1800	460	447T	MQOP-102	Cast Iron	95.8	280	2150	43	W 440TCO-6319	W 440TDO-6319	68, RB
	1800	575	447T	MPOP-102	Cast Iron	95.8	224	2150	43	W 440TCO-6319	W 440TDO-6319	RB
300	3600	460	447TS	MQOP-106	Cast Iron	95.4	322	2002	38.25	W 440TSCO-6314	W 440TSDO-6314	68
	3600	575	447TS	MPOP-106	Cast Iron	95.4	258	2002	38.25	W 440TSCO-6314	W 440TSDO-6314	
	1800	460	449T	MQOP-107	Cast Iron	95.8	335	2220	48	W 440TCO-6319	W 440TDO-6319	68, RB
	1800	575	449T	MPOP-107	Cast Iron	95.8	260	2220	48	W 440TCO-6319	W 440TDO-6319	RB
350	3600	460	449TS	MQOP-111	Cast Iron	95.4	373	2400	43.25	W 440TSCO-6314	W 440TSDO-6314	68
	3600	575	449TS	MPOP-111	Cast Iron	95.4	299	2400	43.25	W 440TSCO-6314	W 440TSDO-6314	

**Footnotes:**

- \* 68 = Rated and Nameplated 60/50 Hertz
- \* RB = Roller Bearing Installed on DE



# PREMIUM DESIGN B NEMA 12-12

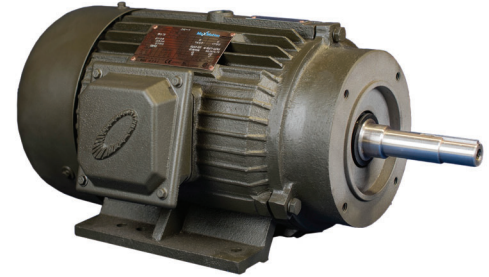
CLOSE COUPLED PUMP MOTORS JM STYLE | CAST IRON

CONSTRUCTION RIGID BASE TEFC TOTALLY ENCLOSED FAN COOLED



## Features:

- MG-1 Design B and MG-1 Part 31
- Meets or exceeds NEMA Premium Efficiencies
- Factory Certified Division 2, Class I Groups A, B, C, D, Class II Groups F&G
- Meets Temperature Code T2B
- IP55 enclosure
- Rated and Nameplated 60/50 Hertz 190/380-415 @ 1.0 SF
- Inverter Duty 10:1 Constant Torque, 20:1 Variable Torque 1.0 SF meets MG1 parts 31.4.4.2
- 1.25 Service Factor
- Class F Insulation
- F1 Standard Assembly, Reversible to F2 Assembly
- Provision to accept Drip Cover, See Accessories Page
- CSAus & CE Certified
- Three Year Warranty



HP	RPM	VOLTS	FRAME	CAT NO.	NOM EFF.	F.L. AMPS	WT (Lbs)	"C" DIMENSION (Inch)	FOOT NOTES
1	1800	208-230/460	143JM	JMQP-2	85.5	3.2-3/1.5	47	16.23	68
	1800	575	143JM	JMPP-2	85.5	1.2	47	16.23	
	1200	208-230/460	145JM	JMQP-3	82.5	4.1-3.7/1.85	52	17.23	68
	1200	575	145JM	JMPP-3	82.5	1.45	52	17.23	
1.5	1800	208-230/460	145JM	JMQP-7	86.5	5.1-4.6/2.3	55	17.23	68
	1800	575	145JM	JMPP-7	86.5	1.9	55	17.23	
	1200	208-230/460	182JM	JMQP-8	87.5	5.2-4.8/2.4	95	19.48	68
	1200	575	182JM	JMPP-8	87.5	1.9	95	19.48	
2	3600	208-230/460	145JM	JMQP-11	85.5	5.8-5.3/2.65	52	17.23	68
	3600	575	145JM	JMPP-11	85.5	2.05	52	17.23	
	1800	208-230/460	145JM	JMQP-12	86.5	6.6-6/3	56	17.23	68
	1800	575	145JM	JMPP-12	96.5	2.4	56	17.23	
	1200	208-230/460	184JM	JMQP-13	88.5	6.6-6/3	103	19.48	68
	1200	575	184JM	JMPP-13	88.5	2.4	103	19.48	
3	3600	208-230/460	145JM	JMQP-16S	86.5	8.84-8/4	90	17.23	68
	3600	575	145JM	JMPP-16S	86.5	3.2	90	17.23	
	3600	208-230/460	182JM	JMQP-16	86.5	8.4-7.6/3.8	95	18.48	68
	3600	575	182JM	JMPP-16	86.5	3	95	18.48	
	1800	208-230/460	182JM	JMQP-17	89.5	8.2-7.6/3.8	97	18.48	68
	1800	575	182JM	JMPP-17	89.5	3	97	18.48	
	1200	208-230/460	213JM	JMQP-18	89.5	9.2-8.4/4.2	136	20.78	68
	1200	575	213JM	JMPP-18	89.5	3.4	136	20.78	
5	3600	208-230/460	184JM	JMQP-21	88.5	13-11.6/5.8	110	19.48	68
	3600	575	184JM	JMPP-21	88.5	4.6	110	19.48	
	1800	208-230/460	184JM	JMQP-22	89.5	14-13.6/6.8	112	19.48	68
	1800	575	184JM	JMPP-22	89.5	5.4	112	19.48	
	1200	208-230/460	215JM	JMQP-23	89.5	15.6-14.2/7.1	162	22.28	68
	1200	575	215JM	JMPP-23	89.5	5.68	162	22.28	

CHART CONTINUES ON NEXT PAGE

## Footnotes:

\* 68 = Rated and Nameplated 60/50 Hertz



# PREMIUM DESIGN B NEMA 12-12

CLOSE COUPLED PUMP MOTORS JM STYLE | CAST IRON

CONSTRUCTION RIGID BASE TEFC TOTALLY ENCLOSED FAN COOLED



CHART CONTINUED FROM PREVIOUS PAGE

HP	RPM	VOLTS	FRAME	CAT NO.	NOM EFF.	F.L. AMPS	WT (Lbs)	"C" DIMENSION (Inch)	FOOT NOTES
7.5	3600	208-230/460	184JM	JMQP-26S	89.5	18.8-17.6/8.8	134	19.48	68
	3600	575	184JM	JMPP-26S	89.5	7	134	19.48	
	3600	208-230/460	213JM	JMQP-26	89.5	18.8-17.6/8.5	145	20.78	68
	3600	575	213JM	JMPP-26	89.5	7	145	20.78	
	1800	208-230/460	213JM	JMQP-27	91.7	19.8-18.4/9.2	150	20.78	68
	1800	575	213JM	JMPP-27	91.7	7.4	150	20.78	
	1200	208-230/460	254JM	JMQP-28	91	21-19.6/9.5	272	24.7	68
	1200	575	254JM	JMPP-28	91	7.8	272	24.7	
10	3600	208-230/460	215JM	JMQP-31	90.2	23.9-22.8/11.4	167	22.28	68
	3600	575	215JM	JMPP-31	90.2	9.1	167	22.28	
	1800	208-230/460	215JM	JMQP-32	91.7	26-24/12	167	22.28	68
	1800	575	215JM	JMPP-32	91.7	9.6	167	22.28	
	1200	208-230/460	256JM	JMQP-33	91	27.2-25.6/12.8	293	26.5	68
	1200	575	256JM	JMPP-33	91	10.2	293	26.5	
15	3600	208-230/460	215JM	JMQP-36S	91	36.2-34.4/17.2	162	22.28	68
	3600	575	215JM	JMPP-36S	91	13.8	162	22.28	
	3600	208-230/460	254JM	JMQP-36	91	36.2-34.4/17.2	286	24.7	68
	3600	575	254JM	JMPP-36	91	13.8	286	24.7	
	1800	208-230/460	254JM	JMQP-37	92.4	37.2-36.4/18.2	297	24.7	68
	1800	575	254JM	JMPP-37	92.4	14.6	297	24.7	
	1200	208-230/460	284JM	JMQP-38	91.7	41-38/19	363	27.47	68
	1200	575	284JM	JMPP-38	91.7	15.2	363	27.47	
20	3600	208-230/460	256JM	JMQP-41	91	48.5-46/23	315	26.5	68
	3600	575	256JM	JMPP-41	91	18.4	315	26.5	
	1800	208-230/460	256JM	JMQP-42	93	51.8-48.4/24.2	315	26.5	68
	1800	575	256JM	JMPP-42	93	19.1	315	26.5	
25	3600	208-230/460	256JM	JMQP-46S	91.7	60-55/27.5	365	26.5	68
	3600	575	256JM	JMPP-46S	91.7	22	365	26.5	
	3600	208-230/460	284JM	JMQP-46	91.7	61-57/28.5	385	24.47	68
	3600	575	284JM	JMPP-46	91.7	22.8	385	24.47	
	1800	208-230/460	284JM	JMQP-47	93.6	65-60/30	392	24.47	68
	1800	575	284JM	JMPP-47	93.6	24	392	24.47	
30	3600	208-230/460	286JM	JMQP-51	91.7	74-69/34.5	409	24.47	68
	3600	575	286JM	JMPP-51	91.7	18.4	409	24.47	
	1800	208-230/460	286JM	JMQP-52	93.6	76-70.6/35.3	418	28.97	68
	1800	575	286JM	JMPP-52	93.6	28.2	418	28.97	
40	3600	208-230/460	286JM	JMQP-56S	92.4	95-90/45	435	28.97	68
	3600	575	286JM	JMPP-56S	92.4	36	435	28.97	
	3600	208-230/460	324JM	JMQP-56	92.4	94.9-91/45.5	486	30.05	68
	3600	575	324JM	JMPP-56	92.4	36.4	486	30.05	
	1800	208-230/460	324JM	JMQP-57	94.1	100-93.2/46.6	519	30.05	68
	1800	575	324JM	JMPP-57	94.1	37.3	519	30.05	
50	3600	208-230/460	326JM	JMQP-61	93	124-116.2/58.1	548	31.55	68
	3600	575	326JM	JMPP-61	93	46.4	548	31.55	

**Footnotes:**

\* 68 = Rated and Nameplated 60/50 Hertz



# PREMIUM DESIGN B NEMA 12-12

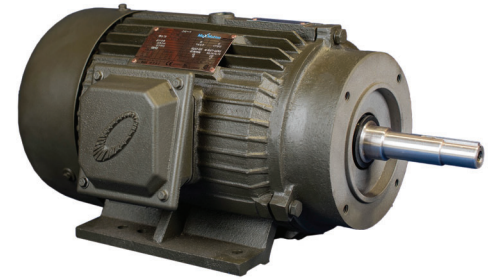
CLOSE COUPLED PUMP MOTORS JP STYLE | CAST IRON

CONSTRUCTION RIGID BASE TEFC TOTALLY ENCLOSED FAN COOLED



## Features:

- MG-1 Design B and MG-1 Part 31
- Meets or exceeds NEMA Premium Efficiencies
- Factory Certified Division 2, Class I Groups A, B, C, D, Class II Groups F&G
- Meets Temperature Code T2B
- IP55 enclosure
- Rated and Nameplated 60/50 Hertz 190/380-415 @ 1.0 SF
- Inverter Duty 10:1 Constant Torque, 20:1 Variable Torque 1.0 SF meets MG1 parts 31.4.4.2
- 1.25 Service Factor
- Class F Insulation
- F1 Standard Assembly, Reversible to F2 Assembly
- Provision to accept Drip Cover, See Accessories Page
- CSAus & CE Certified
- Three Year Warranty



HP	RPM	VOLTS	FRAME	CAT NO.	NOM EFF.	F.L. AMPS	WT (Lbs)	"C" DIMENSION (Inch)	FOOT NOTES
2	1800	208-230/460	145JP	JPQP-12	86.5	6.6-6/3	56	20.30	68
	1800	575	145JP	JPPP-12	86.5	2.4	56	20.30	
3	1800	208-230/460	182JP	JPQP-17	89.5	8.2-7.6/3.8	97	21.55	68
	1800	575	182JP	JPPP-17	89.5	3	97	21.55	
5	1800	208-230/460	184JP	JPQP-22	89.5	14-13.6/6.8	112	22.55	68
	1800	575	184JP	JPPP-22	89.5	5.4	112	22.55	
7.5	1800	208-230/460	213JP	JPQP-27	91.7	19.8-18.4/9.2	150	24.65	68
	1800	575	213JP	JPPP-27	91.7	7.4	150	24.65	
10	3600	208-230/460	215JP	JPQP-31	90.2	23.9-22.8/11.4	167	26.15	68
	3600	575	215JP	JPPP-31	90.2	9.1	167	26.15	
	1800	208-230/460	215JP	JPQP-32	91.7	26-24/12	167	26.15	68
	1800	575	215JP	JPPP-32	91.7	9.6	167	26.15	
15	3600	208-230/460	215JP	JPQP-36S	91	36.2-34.4/17.2	162	26.15	68
	3600	575	215JP	JPPP-36S	91	13.8	162	26.15	
	3600	208-230/460	254JP	JPQP-36	91	36.2-34.4/17.2	286	27.58	68
	3600	575	254JP	JPPP-36	91	13.8	286	27.58	

## Footnotes:

\* 68 = Rated and Nameplated 60/50 Hertz



# PREMIUM DESIGN B NEMA 12-12

304 GRADE STAINLESS STEEL TENV TOTALLY ENCLOSED  
NON-VENTILTED & TEFC TOTALLY ENCLOSED FAN COOLED



## Features:

- MG-1 Design B and MG-1 Part 31
- Meets or exceeds MEPS (Minimum Efficiency Performance Standards) as described by US Department of Energy in docket 10CFR431 and Natural Resources Canada's Amendment 14
- IP66 enclosure
- Rated and Nameplated 60/50 Hertz 190/380 @ 1.0 SF
- Inverter Duty 10:1 Constant Torque, 20:1 Variable Torque @ 1.0 SF meets MG1 parts 31.4.4.2
- Class F Insulation
- CSAus & CE Certified
- Three Year Warranty



HP	RPM	VOLTS	FRAME	CAT NO.	ENCLOSURE	BASE	NOM EFF.	F.L. AMPS	WT (Lbs)	"C" DIMENSION (Inch)	FOOT NOTES
0.33	1800	208-230/460	56C	MQS-134L	TENV	Rigid	73.4	1.22-1.1/.55	28	9.8	68
	1800	575	56C	MPS-134L	TENV	Rigid	73.4	0.44	28	9.8	
	1800	208-230/460	56C	MQS-134RB	TENV	Round body	73.4	1.22-1.1/.55	28	9.8	68
	1800	575	56C	MPS-134RB	TENV	Round body	73.4	0.44	28	9.8	
	1800	208-230/460	56C	MQS-134LFC	TEFC	Rigid	73.4	1.22-1.1/.55	28	11.59	68
	1800	575	56C	MPS-134LFC	TEFC	Rigid	73.4	0.44	28	11.59	
	1800	208-230/460	56C	MQS-134RBFC	TEFC	Round body	73.4	1.22-1.1/.55	28	11.59	68
	1800	575	56C	MPS-134RBFC	TEFC	Round body	73.4	0.44	28	11.59	
0.50	3600	208-230/460	56C	MQS-122L	TENV	Rigid	73.4	1.66-1.5/.75	29	9.8	68
	3600	575	56C	MPS-122L	TENV	Rigid	73.4	0.6	29	9.8	
	3600	208-230/460	56C	MQS-122RB	TENV	Round body	73.4	1.66-1.5/.75	29	9.8	68
	3600	575	56C	MPS-122RB	TENV	Round body	73.4	0.6	29	9.8	
	1800	208-230/460	56C	MQS-124L	TENV	Rigid	78.2	1.9-1.72/.86	31	9.8	68
	1800	575	56C	MPS-124L	TENV	Rigid	78.2	0.688	31	9.8	
	1800	208-230/460	56C	MQS-124RB	TENV	Round body	78.2	1.9-1.72/.86	31	9.8	68
	1800	575	56C	MPS-124RB	TENV	Round body	78.2	0.688	31	9.8	
	1800	208-230/460	56C	MQS-124LFC	TEFC	Rigid	78.2	1.9-1.72/.86	31	11.59	68
	1800	575	56C	MPS-124LFC	TEFC	Rigid	78.2	0.688	31	11.59	
	1800	208-230/460	56C	MQS-124RBFC	TEFC	Round body	78.2	1.9-1.72/.86	31	11.59	68
	1800	575	56C	MPS-124RBFC	TEFC	Round body	78.2	0.688	31	11.59	
	1200	208-230/460	56C	MQS-126L	TENV	Rigid	75.3	1.99-1.8/.9	31	9.8	68
	1200	575	56C	MPS-126L	TENV	Rigid	75.3	75.3	31	9.8	
	1200	208-230/460	56C	MQS-126RB	TENV	Round body	75.3	1.99-1.8/.9	31	9.8	68
	1200	575	56C	MPS-126RB	TENV	Round body	75.3	75.3	31	9.8	
0.75	3600	208-230/460	56C	MQS-342L	TENV	Rigid	76.8	2.65-2.4/1.2	33	10.78	68
	3600	575	56C	MPS-342L	TENV	Rigid	76.8	0.96	33	10.78	
	3600	208-230/460	56C	MQS-342RB	TENV	Round body	76.8	2.65-2.4/1.2	33	10.78	68
	3600	575	56C	MPS-342RB	TENV	Round body	76.8	0.96	33	10.78	
	1800	208-230/460	56C	MQS-344L	TENV	Rigid	81.1	2.65-2.4/1.2	33	10.78	68
	1800	575	56C	MPS-344L	TENV	Rigid	81.1	0.96	33	10.78	
	1800	208-230/460	56C	MQS-344RB	TENV	Round body	81.1	2.65-2.4/1.2	33	10.78	68
	1800	575	56C	MPS-344RB	TENV	Round body	81.1	0.96	33	10.78	

## Footnotes:

\* 68 = Rated and Nameplated 60/50 Hertz

CHART CONTINUES ON NEXT PAGE





# PREMIUM DESIGN B NEMA 12-12

304 GRADE STAINLESS STEEL TENV TOTALLY ENCLOSED

NON-VENTILTED & TEFC TOTALLY ENCLOSED FAN COOLED



CHART CONTINUED FROM PREVIOUS PAGE

HP	RPM	VOLTS	FRAME	CAT NO.	ENCLOSURE	BASE	NOM EFF.	F.L. AMPS	WT (Lbs)	"C" DIMENSION (Inch)	FOOT NOTES
0.75	1800	208-230/460	56C	MQS-344LFC	TEFC	Rigid	81.1	2.65/2.4/1.2	33	12.57	68
	1800	575	56C	MPS-344LFC	TEFC	Rigid	81.1	0.96	33	12.57	
	1800	208-230/460	56C	MQS-344RBFC	TEFC	Round body	81.1	2.65/2.4/1.2	33	12.57	68
	1800	575	56C	MPS-344RBFC	TEFC	Round body	81.1	0.96	33	12.57	
	1200	208-230/460	56C	MQS-346L	TENV	Rigid	81.7	2.88-2.6/1.3	34	10.78	68
	1200	575	56C	MPS-346L	TENV	Rigid	81.7	1.04	34	10.78	
	1200	208-230/460	56C	MQS-346RB	TENV	Round body	81.7	2.88-2.6/1.3	34	10.78	68
	1200	575	56C	MPS-346RB	TENV	Round body	81.7	1.04	34	10.78	
1	3600	208-230/460	56C	MQSP-102L	TEFC	Rigid	77	3.1-2.8/1.4	35	12.57	68
	3600	575	56C	MPSP-102L	TEFC	Rigid	77	1.12	35	12.57	
	3600	208-230/460	56C	MQSP-102RB	TEFC	Round body	77	3.1-2.8/1.4	35	12.57	68
	3600	575	56C	MPSP-102RB	TEFC	Round body	77	1.12	35	12.57	
	3600	208-230/460	56C	MQSP-102LNV	TENV	Rigid	77	3.1-2.8/1.4	35	10.78	68
	3600	575	56C	MPSP-102LNV	TENV	Rigid	77	1.12	35	10.78	
	3600	208-230/460	56C	MQSP-102RBNV	TENV	Round body	77	3.1-2.8/1.4	35	10.78	68
	3600	575	56C	MPSP-102RBNV	TENV	Round body	77	1.12	35	10.78	
	1800	208-230/460	56C	MQSP-104L	TEFC	Rigid	86.7	3.36-3.01/1.52	36	12.57	68
	1800	575	56C	MPSP-104L	TEFC	Rigid	86.7	1.216	36	12.57	
	1800	208-230/460	56C	MQSP-104RB	TEFC	Round body	86.7	3.36-3.01/1.52	36	12.57	68
	1800	575	56C	MPSP-104RB	TEFC	Round body	86.7	1.216	36	12.57	
	1800	208-230/460	56C	MQSP-104LNV	TENV	Rigid	86.7	3.36-3.01/1.52	36	10.78	68
	1800	575	56C	MPSP-104LNV	TENV	Rigid	86.7	1.216	36	10.78	
	1800	208-230/460	143TC	MQSP-104RBNV	TENV	Round body	86.7	3.36-3.01/1.52	36	10.78	68
	1800	575	143TC	MPSP-104RBNV	TENV	Round body	86.7	1.216	36	10.78	
	1800	208-230/460	56C	MQSP-104TL	TEFC	Rigid	86.7	3.36-3.01/1.52	36	12.63	68
	1800	575	56C	MPSP-104TL	TEFC	Rigid	86.7	1.216	36	12.63	
	1800	208-230/460	143TC	MQSP-104TLNV	TENV	Rigid	86.7	3.36-3.01/1.52	36	10.84	68
	1800	575	143TC	MPSP-104TLNV	TENV	Rigid	86.7	1.216	36	10.84	
	1200	208-230/460	56C	MQSP-106L	TEFC	Rigid	82.5	3.87-3.5/1.75	36	12.57	68
	1200	575	56C	MPSP-106L	TEFC	Rigid	82.5	1.4	36	12.57	
	1200	208-230/460	56C	MQSP-106RB	TEFC	Round body	82.5	3.87-3.5/1.75	36	12.57	68
	1200	575	56C	MPSP-106RB	TEFC	Round body	82.5	1.4	36	12.57	
1200	208-230/460	143TC	MQSP-106TL	TEFC	Rigid	82.5	3.87-3.5/1.75	42	13.81	68	
1200	575	143TC	MPSP-106TL	TEFC	Rigid	82.5	1.4	42	13.81		
1.5	3600	208-230/460	56C	MQSP-152L	TEFC	Rigid	84	4.64-4.2/2.1	28	12.57	68
	3600	575	56C	MPSP-152L	TEFC	Rigid	84	1.68	28	12.57	
	3600	208-230/460	56C	MQSP-152RB	TEFC	Round body	84	4.64-4.2/2.1	28	12.57	68
	3600	575	56C	MPSP-152RB	TEFC	Round body	84	1.68	28	12.57	
	3600	208-230/460	56C	MQSP-152LNV	TENV	Rigid	84	4.64-4.2/2.1	28	11.96	68
	3600	575	56C	MPSP-152LNV	TENV	Rigid	84	1.68	28	11.96	
	3600	208-230/460	56C	MQSP-152RBNV	TENV	Round body	84	4.64-4.2/2.1	28	11.96	68
	3600	575	56C	MPSP-152RBNV	TENV	Round body	84	1.68	28	11.96	
	3600	208-230/460	143TC	MQSP-152TL	TEFC	Rigid	84	4.42-2.21/1.92	39	12.63	68
	3600	575	143TC	MPSP-152TL	TEFC	Rigid	84	1.6	39	12.63	
	3600	208-230/460	143TC	MQSP-152TLNV	TENV	Rigid	84	4.42-2.21/1.92	39	12.02	68
	3600	575	143TC	MPSP-152TLNV	TENV	Rigid	84	1.6	39	12.02	

**Footnotes:**

\* 68 = Rated and Nameplated 60/50 Hertz

CHART CONTINUES ON NEXT PAGE



# PREMIUM DESIGN B NEMA 12-12

304 GRADE STAINLESS STEEL TENV TOTALLY ENCLOSED  
NON-VENTILATED & TEFC TOTALLY ENCLOSED FAN COOLED



CHART CONTINUED FROM PREVIOUS PAGE

HP	RPM	VOLTS	FRAME	CAT NO.	ENCLOSURE	BASE	NOM EFF.	F.L. AMPS	WT (Lbs)	"C" DIMENSION (Inch)	FOOT NOTES	
1.5	1800	208-230/460	56C	MQSP-154L	TEFC	Rigid	86.5	4.87-4.4/2.2	36	12.57	68	
	1800	575	56C	MPSP-154L	TEFC	Rigid	86.5	1.76	36	12.57		
	1800	208-230/460	56C	MQSP-154RB	TEFC	Round body	86.5	4.87-4.4/2.2	36	12.57	68	
	1800	575	56C	MPSP-154RB	TEFC	Round body	86.5	1.76	36	12.57		
	1800	208-230/460	56C	MQSP-154LNV	TENV	Rigid	86.5	4.87-4.4/2.2	36	11.96	68	
	1800	575	56C	MPSP-154LNV	TENV	Rigid	86.5	1.76	36	11.96		
	1800	208-230/460	56C	MQSP-154RBNV	TENV	Round body	86.5	4.87-4.4/2.2	36	11.96	68	
	1800	575	56C	MPSP-154RBNV	TENV	Round body	86.5	1.76	36	11.96		
	1800	208-230/460	145TC	MQSP-154TL	TEFC	Rigid	86.5	4.87-4.4/2.2	42	13.81	68	
	1800	575	145TC	MPSP-154TL	TEFC	Rigid	86.5	1.76	42	13.81		
	1800	208-230/460	145TC	MQSP-154TLNV	TENV	Rigid	86.5	4.87-4.4/2.2	42	12.02	68	
	1800	575	145TC	MPSP-154TLNV	TENV	Rigid	86.5	1.76	42	12.02		
	1200	208-230/460	56C	MQSP-156L	TEFC	Rigid	87.5	5.42-4.9/2.45	36	13.75	68	
	1200	575	56C	MPSP-156L	TEFC	Rigid	87.5	1.96	36	13.75		
	1200	208-230/460	56C	MQSP-156RB	TEFC	Round body	87.5	5.42-4.9/2.45	36	13.75	68	
	1200	575	56C	MPSP-156RB	TEFC	Round body	87.5	1.96	36	13.75		
	1200	208-230/460	182TC	MQSP-156TL	TEFC	Rigid	87.5	5.42-4.9/2.45	79	17	68	
	1200	575	182TC	MPSP-156TL	TEFC	Rigid	87.5	1.96	79	17		
	2	3600	208-230/460	145TC	MQSP-202TL	TEFC	Rigid	85.5	5.31-4.8-2.4	46	13.81	68
		3600	575	145TC	MPSP-202TL	TEFC	Rigid	85.5	1.92	46	13.81	
3600		208-230/460	145TC	MQSP-202TLNV	TENV	Rigid	85.5	5.31-4.8-2.4	46	13.81	68	
3600		575	145TC	MPSP-202TLNV	TENV	Rigid	85.5	1.92	46	13.81		
1800		208-230/460	56C	MQSP-204L	TEFC	Rigid	86.5	6.41-5.8/2.7	36	13.75	68	
1800		575	56C	MPSP-204L	TEFC	Rigid	86.5	2.16	36	13.75		
1800		208-230/460	56C	MQSP-204RB	TEFC	Round body	86.5	6.41-5.8/2.7	36	13.75	68	
1800		575	56C	MPSP-204RB	TEFC	Round body	86.5	2.16	36	13.75		
1800		208-230/460	56C	MQSP-204LNV	TENV	Rigid	86.5	6.41-5.8/2.7	36	13.75	68	
1800		575	56C	MPSP-204LNV	TENV	Rigid	86.5	2.16	36	13.75		
1800		208-230/460	56C	MQSP-204RBNV	TENV	Round body	86.5	6.41-5.8/2.7	36	13.75	68	
1800		575	56C	MPSP-204RBNV	TENV	Round body	86.5	2.16	36	13.75		
1800		208-230/460	145TC	MQSP-204TL	TEFC	Rigid	86.5	5.97-5.4/2.7	49	13.81	68	
1800		575	145TC	MPSP-204TL	TEFC	Rigid	86.5	2.16	49	13.81		
1800		208-230/460	145TC	MQSP-204TLNV	TENV	Rigid	86.5	5.97-5.4/2.7	49	13.81	68	
1800		575	145TC	MPSP-204TLNV	TENV	Rigid	86.5	2.16	49	13.81		
1800		575	145TC	MPSP-204TRB	TEFC	Round body	86.5	2.16	49	13.81	68	
1200		208-230/460	184TC	MQSP-206TL	TEFC	Rigid	88.5	6.86-6.2/3.1	95	17	68	
1200		575	184TC	MPSP-206TL	TEFC	Rigid	88.5	2.48	95	17		
3		3600	208-230/460	145TC	MQSP-302TSL	TEFC	Rigid	86.5	8.96-8.1/4.05	81	15.58	68
	3600	575	145TC	MPSP-302TSL	TEFC	Rigid	86.5	3.24	81	15.58		
	3600	208-230/460	182TC	MQSP-302TL	TEFC	Rigid	86.5	8.96-8.1/4.05	81	17.00	68	
	3600	575	184TC	MPSP-302TL	TEFC	Rigid	86.5	3.24	81	17.00		
	3600	208-230/460	182TC	MQSP-302TLNV	TENV	Rigid	86.5	8.96-8.1/4.05	81	14.70	68	
	3600	575	184TC	MPSP-302TLNV	TENV	Rigid	86.5	3.24	81	14.70		

**Footnotes:**

\* 68 = Rated and Nameplated 60/50 Hertz

CHART CONTINUES ON NEXT PAGE



# PREMIUM DESIGN B NEMA 12-12

304 GRADE STAINLESS STEEL TENV TOTALLY ENCLOSED  
NON-VENTILTED & TEFC TOTALLY ENCLOSED FAN COOLED



CHART CONTINUED FROM PREVIOUS PAGE

HP	RPM	VOLTS	FRAME	CAT NO.	ENCLOSURE	BASE	NOM EFF.	F.L. AMPS	WT (Lbs)	"C" DIMENSION (Inch)	FOOT NOTES
3	1800	208-230/460	56C	MQSP-304TL-56C	TEFC	Rigid	89.5	8.85-8/4	63	15.52	68
	1800	575	56C	MPSP-304TL-56C	TEFC	Rigid	89.5	3.2	63	15.52	
	1800	208-230/460	56C	MQSP-304TRB-56C	TEFC	Rigid	89.5	8.85-8/4	63	15.52	68
	1800	575	56C	MPSP-304TRB-56C	TEFC	Rigid	89.5	3.2	63	15.52	
	1800	208-230/460	145TC	MQSP-304TSL	TEFC	Rigid	89.5	8.85-8/4	78	15.58	68
	1800	575	145TC	MPSP-304TSL	TEFC	Rigid	89.5	3.2	78	15.58	
	1800	575	145TC	MPSP-304TSL-F0	TEFC	Rigid	89.5	3.2	78	15.58	F0
	1800	208-230/460	182TC	MQSP-304TL	TEFC	Rigid	89.5	8.85-8/4	89	17	68
	1800	575	182TC	MPSP-304TL	TEFC	Rigid	89.5	3.2	89	17	
	1800	208-230/460	182TC	MQSP-304TLNV	TENV	Rigid	89.5	8.85-8/4	89	14.70	68
	1800	575	182TC	MPSP-304TLNV	TENV	Rigid	89.5	3.2	89	14.70	
	1200	208-230/460	213TC	MQSP-306TL	TEFC	Rigid	89.5	9.51-8.6/4.3	110	20.7	68
1200	575	213TC	MPSP-306TL	TEFC	Rigid	89.5	3.44	110	20.7		
5	3600	208-230/460	184TC	MQSP-502TL	TEFC	Rigid	88.5	13.49-12.2/6.1	95	17	68
	3600	575	184TC	MPSP-502TL	TEFC	Rigid	88.5	4.88	95	17	
	1800	208-230/460	184TC	MQSP-504TL	TEFC	Rigid	89.5	13.82-12.5/6.25	104	17	68
	1800	575	184TC	MPSP-504TL	TEFC	Rigid	89.5	5	104	17	
	1200	208-230/460	215TC	MQSP-506TL	TEFC	Rigid	89.5	15.04-13.6/6.8	171	21.5	68
	1200	575	215TC	MPSP-506TL	TEFC	Rigid	89.5	5.44	171	21.5	
7.5	3600	208-230/460	213TC	MQSP-702TL	TEFC	Rigid	89.5	20.79-18.8/9.4	110	20.7	68
	3600	575	213TC	MPSP-702TL	TEFC	Rigid	89.5	7.52	110	20.7	
	1800	208-230/460	213TC	MQSP-704TL	TEFC	Rigid	91.7	20.57-18.6/9.3	163	20.7	68
	1800	575	213TC	MPSP-704TL	TEFC	Rigid	91.7	7.44	163	20.7	
10	3600	208-230/460	215TC	MQSP-1002TL	TEFC	Rigid	90.2	26.98-24.4/12.2	175	22.3	68
	3600	575	215TC	MPSP-1002TL	TEFC	Rigid	90.2	9.76	175	22.3	
	1800	208-230/460	215TC	MQSP-1004TL	TEFC	Rigid	91.7	26.98-24.4/12.2	200	21.5	68
	1800	575	215TC	MPSP-1004TL	TEFC	Rigid	91.7	9.79	200	21.5	
15	3600	208-230/460	254TC	MQSP-1502TL	TEFC	Rigid	91	40-37/18.5	363	23.2	68
	3600	575	254TC	MPSP-1502TL	TEFC	Rigid	91	14.8	363	23.2	
	1800	208-230/460	254TC	MQSP-1504TL	TEFC	Rigid	92.4	39.81-36/18	286	23.2	68
	1800	575	254TC	MPSP-1504TL	TEFC	Rigid	92.4	14.4	286	23.2	
20	3600	208-230/460	256TC	MQSP-2002TL	TEFC	Rigid	91	50-46/23	422	24.8	68
	3600	575	256TC	MPSP-2002TL	TEFC	Rigid	91	18.4	422	24.8	
	1800	208-230/460	256TC	MQSP-2004TL	TEFC	Rigid	93	54.18-49/24.4	352	24.8	68
	1800	575	256TC	MPSP-2004TL	TEFC	Rigid	93	19.6	352	24.8	

**Footnotes:**

- \* 68 = Rated and Nameplated 60/50 Hertz
- \* F0 = Terminal box is located in FO position, on top



# THREE PHASE ALL-IN-ONE 56HC AC MOTORS

HEAVY GAUGE ROLLED STEEL CONSTRUCTION

TEFC TOTALLY ENCLOSED FAN COOLED | ALL-IN-ONE FRAME 56HC



## Features:

- MG-1 Design B and MG-1 Part 31
- Meets or exceeds MEPS (Minimum Efficiency Performance Standards) as described by US Department of Energy in docket 10CFR431 and Natural Resources Canada's Amendment 14
- IP55 enclosure
- Rated and Nameplated 60/50 Hertz 190/380 at next lowest HP @ 1.15 SF
- Inverter Duty 10:1 Constant Torque, 20:1 Variable Torque @ 1.0 SF meets MG1 parts 31.4.4.2
- 1.15 Service Factor
- Class F Insulation
- F1 Standard Assembly
- Suitable for Horizontal and Vertical Operation
- Brake Kit Provision on NDE on frame 56
- CSAus & CE Certified
- One Year Warranty



HP	RPM	VOLTS	FRAME	CAT NO.	NOM EFF.	F.L. AMPS	WT (Lbs)	"C" DIMENSION (Inch)	BRAKE KITS	BRAKE VOLTAGE	FT.LBS	FOOT NOTES
0.33	3600	208-230/460	56HC	MQR-132CW	63	1.46-1.32/.66	21	13.95	A301	230/460	3	68
	3600	575	56HC	MPR-132CW	63	0.53	21	13.95	A297	575	3	
	1800	208-230/460	56HC	MQR-134CW	72	1.55-1.4/.7	22	12.38	A301	230/460	3	68
	1800	575	56HC	MPR-134CW	72	0.56	22	12.38	A297	575	3	
	1200	208-230/460	56HC	MQR-136CW	63	2.63-2.38/1.18	24	12.38	A301	230/460	3	68
	1200	575	56HC	MPR-136CW	63	0.94	24	12.38	A297	575	3	
0.50	3600	208-230/460	56HC	MQR-122CW	70	1.99-1.8/.90	21	12.38	A301	230/460	3	68
	3600	575	56HC	MPR-122CW	70	0.72	21	12.38	A297	575	3	
	1800	208-230/460	56HC	MQR-124CW	74	2.10-1.90/.95	24	12.38	A301	230/460	3	68
	1800	575	56HC	MPR-124CW	74	0.76	24	12.38	A297	575	3	
	1200	208-230/460	56HC	MQR-126CW	68	2.88-2.6/1.3	25	12.38	A302	230/460	6	68
	1200	575	56HC	MPR-126CW	68	1.04	25	12.38	A298	575	6	
0.75	3600	208-230/460	56HC	MQR-342CW	73	2.63-2.38/1.12	22.5	12.38	A301	230/460	3	68
	3600	575	56HC	MPR-342CW	73	0.95	22.5	12.38	A297	575	3	
	1800	208-230/460	56HC	MQR-344CW	77	3.01-2.72/1.36	25.3	12.38	A302	230/460	6	68
	1800	575	56HC	MPR-344CW	77	1.09	25.3	12.38	A298	575	6	
	1200	208-230/460	56HC	MQR-346CW	74	3.76-3.4/1.7	34	12.38	A302	230/460	6	68
	1200	575	56HC	MPR-346CW	74	1.36	34	12.38	A298	575	6	
1	3600	208-230/460	56HC	MQRP-102CW	77	3.37-3.05/1.53	25	12.38	A301	230/460	3	68
	3600	575	56HC	MPRP-102CW	77	1.22	25	12.38	A297	575	3	
	1800	208-230/460	56HC	MQRP-104CW	85.5	3.4-3.08/1.54	27	12.38	A302	230/460	6	68
	1800	575	56HC	MPRP-104CW	85.5	1.23	27	12.38	A298	575	6	
	1200	208-230/460	56HC	MQRP-106CW	82.5	4.34-3.92/1.97	28	12.38	A303	230/460	10	68
	1200	575	56HC	MPRP-106CW	82.5	1.57	28	12.38	A299	575	10	
1.5	3600	208-230/460	56HC	MQRP-152CW	84	4.51-4.08/2.04	36	12.38	A302	230/460	6	68
	3600	575	56HC	MPRP-152CW	84	1.63	28	12.38	A298	575	6	
	1800	208-230/460	56HC	MQRP-154CW	86.5	4.92-4.45/2.23	31	12.38	A303	230/460	10	68
	1800	575	56HC	MPRP-154CW	86.5	1.78	31	12.38	A299	575	10	
	1200	208-230/460	56HC	MQRP-156CW	87.5	5.97-5.4/2.7	35	13.95	A303	230/460	10	68
	1200	575	56HC	MPRP-156CW	87.5	2.16	35	13.95	A299	575	10	
2	3600	208-230/460	56HC	MQRP-202CW	85.5	5.69-5.15/2.58	32	13.52	A302	230/460	6	68
	3600	575	56HC	MPRP-202CW	85.5	2.06	32	13.52	A298	575	6	
	1800	208-230/460	56HC	MQRP-204CW	86.5	6.36-5.75/2.88	37	13.95	A303	230/460	10	68
	1800	575	56HC	MPRP-204CW	86.5	2.3	37	13.95	A299	575	10	
3	3600	208-230/460	56HC	MQRP-302CW	86.5	8.02-7.25/3.63	42	14.54	A303	230/460	10	68
	3600	575	56HC	MPRP-302CW	86.5	2.9	42	14.54	A299	575	10	

## Footnotes:

\* 68 = Rated and Nameplated 60/50 Hertz

# GENERAL PURPOSE PREMIUM ROLLED STEEL

HEAVY GAUGE ROLLED STEEL CONSTRUCTION

TEFC TOTALLY ENCLOSED FAN COOLED



## Features:

- MG-1 Design B and MG-1 Part 31
- Meets or exceeds MEPS (Minimum Efficiency Performance Standards) as described by US Department of Energy in docket 10CFR431 and Natural Resources Canada's Amendment 14
- IP55 enclosure
- Rated and Nameplated 60/50 Hertz 190/380 at next lowest HP @ 1.15 SF
- Inverter Duty 10:1 Constant Torque, 20:1 Variable Torque @ 1.0 SF meets MG1 parts 31.4.4.2
- 1.15 Service Factor
- Class F Insulation
- F1 Standard Assembly
- Suitable for Horizontal and Vertical Operation
- Auger Adaptor Plate 56C to 56N Available
- CSAus & CE Certified
- One Year Warranty



HP	RPM	VOLTS	FRAME	CAT NO.	NOM EFF.	F.L. AMPS	WT (Lbs)	"C" DIMENSION (Inch)	FOOT NOTES
0.33	3600	208-230/460	56C	MQR-132CH	64	1.32-1.38/.69	21	10.7	68, 40
	3600	575	56C	MPR-132CH	64	0.62	21	12	40
	1800	208-230/460	56C	MQR-134CH	64.5	1.52-1.61/.8	22	12	68, 40
	1800	575	56C	MPR-134CH	64.5	0.71	22	12	40
0.50	3600	208-230/460	56C	MQR-122CH	70	1.86-1.82/.91	21	12	68, 40
	3600	575	56C	MPR-122CH	70	0.8	21	12	40
	1800	208-230/460	56C	MQR-124CH	70	1.9-1.96/.98	24	12	68, 40
	1800	575	56C	MPR-124CH	70	1.05	24	12	40
0.75	3600	208-230/460	56C	MQR-342CH	75	2.45-2.38/1.19	22.5	12	68, 40
	3600	575	56C	MPR-342CH	75	1.1	22.5	10.7	40
	1800	208-230/460	56C	MQR-344CH	72	2.61-2.52/1.26	25.3	10.7	68, 40
	1800	575	56C	MPR-344CH	72	1.1	25.3	10.7	40
1	3600	208-230/460	56C	MQRP-102CH	83	2.9-2.7/1.35	25	10.7	68, 40
	3600	575	56C	MPRP-102CH	83	1.45	25	10.7	40
	1800	208-230/460	56C	MQRP-104CH	85.5	3.3-3.0/1.5	27	10.7	68, 40
	1800	575	56C	MPRP-104CH	85.5	1.2	27	10.7	40
1.5	3600	208-230/460	56C	MQRP-152CH	84.5	4.2-3.8/1.9	36	10.7	68, 40
	3600	575	56C	MPRP-152CH	84.5	1.6	28	10.7	40
	1800	208-230/460	56C	MQRP-154CH	86.5	4.8-4.4/2.2	31	12.5	68, 40
	1800	575	56C	MPRP-154CH	86.5	1.8	31	12.5	40
2	3600	208-230/460	56C	MQRP-202CH	86.7	5.4-5/2.5	32	12.5	68, 40
	3600	575	56C	MPRP-202CH	86.7	2.1	32	12.5	40
	1800	208-230/460	56HC	MQRP-204CH	86.5	5.9-5.7/2.85	37	13.7	68, 40
	1800	575	56HC	MPRP-204CH	86.5	2.4	37	13.7	40
3	3600	208-230/460	56HC	MQRP-302CH	87.5	8.2-7.6/3.8	40	13.7	68, 40
	3600	575	56HC	MPRP-302CH	87.5	3.1	40	13.7	40

## Footnotes:

- \* 68 = Rated and Nameplated 60/50 Hertz
- \* 40 = Suitable with Auger Adaptor Plate 56C to 56N



# SINGLE PHASE GENERAL PURPOSE AC MOTORS

HEAVY GAUGE ROLLED STEEL CONSTRUCTION

TEFC TOTALLY ENCLOSED FAN COOLED



## Features:

- Ball bearings Mechanically locked on Shaft End
- Capacitor Start/Capacitor Run Design
- Totally Enclosed and Fully Gasketed for Dirty Enviroments
- Suitable for Horizontal and Vertical Operation
- 1.15 Service Factor
- Class F Insulation
- F1 Standard Assembly
- Auger Adaptor Plate 56C to 56N Available
- CSA Certified, CE Mark
- One Year Warranty



HP	RPM	VOLTS	FRAME	CAT NO.	OVERLOAD	NOM EFF.	F.L. AMPS	WT (Lbs)	"C" DIMENSION (Inch)	C-FACE KITS	FOOT NOTES
0.33	3600	115/208-230	56C	MTR-132FDCH	MANUAL	60,7	3.83/2.12-1.92	22	10.7	INCLUDED	40
	1800	115/208-230	56C	MTR-134FDCH	MANUAL	65	3.92/2.17-1.96	26	10.7	INCLUDED	40
0.50	3600	115/208-230	56C	MTR-122FDCH	MANUAL	70,8	5.03/2.78-2.52	25	10.7	INCLUDED	40
	1800	115/208-230	56C	MTR-124FDCH	MANUAL	74,6	5.7/3.15-2.85	27	10.7	INCLUDED	40
0.75	3600	115/208-230	56C	MTR-342FDCH	MANUAL	75,1	6.82/3.77-3.41	26	10.7	INCLUDED	40
	1800	115/208-230	56C	MTR-344FDCH	MANUAL	77	7.33/4.05-3.66	31	11.5	INCLUDED	40
1	3600	115/208-230	56C	MTR-102FDCH	MANUAL	76,1	8.26/4.76-4.31	30	11.5	INCLUDED	40
	1800	115/208-230	56HC	MTR-104FDCH	MANUAL	79,8	9.09/5.02-4.54	38	11.5	INCLUDED	40
1.5	3600	115/208-230	56HC	MTR-152FDCH	MANUAL	81,3	12.47/6.89-6.23	36	11.5	INCLUDED	40
	1800	115/208-230	56HC	MTR-154FDCH	MANUAL	81,7	12.41/6.86-6.2	44	12.5	INCLUDED	40
2	3600	115/208-230	56HC	MTR-202FDCH	MANUAL	82,3	15.92/8.8-7.96	40	12.5	INCLUDED	40
	1800	115/208-230	56HC	MTR-204FDCH	MANUAL	83,6	16.17/8.94-8.08	50	13.7	INCLUDED	40
	1800	115/208-230	145TC	MTR-204FDTCH	MANUAL	83,6	16.17/8.94-8.08	51	13.8	INCLUDED	
3	1800	208-230	184TC	MTR-304FDCH	NONE	87,4	12.5-11.3	96	16.5	INCLUDED	
5	1800	208-230	184TC	MTR-504FDCH	NONE	85,9	22.9-19.2	108,8	16.9	INCLUDED	
7.5	1800	208-230	215T	MTR-754FDH	NONE	88	33-28.10	154	19	H 210TC-1	41
10	1800	208-230	215T	MTR-1004FDH	NONE	88	45.1-38.20	172	19	H 210TC-1	41

## Footnotes:

\* 40 = Suitable with Auger Adaptor Plate 56C to 56N

\* 41 = C Flange H 210TC-1 available, but not included



# CENTRIFUGAL THREE PHASE 56J AC MOTORS

HEAVY GAUGE ROLLED STEEL CONSTRUCTION

TEFC TOTALLY ENCLOSED FAN COOLED



## Features:

- MG-1 Design B and MG-1 Part 31
- Meets or exceeds MEPS (Minimum Efficiency Performance Standards) as described by US Department of Energy in docket 10CFR431 and Natural Resources Canada's Amendment 14
- Inverter Duty 5:1 Constant Torque, 10:1 Variable Torque 1.0 SF meets MG1 parts 31.4.4.2
- IP55 Enclosure
- Rated and Nameplated 60/50 Hertz 190/380 at next lowest HP @ 1.15 SF
- NEMA C-Face Output w/316SS Threaded Shaft
- Removable 56H Rigid Base
- 1.15 Service Factor
- Class F Insulation
- F1 Standard Assembly
- CSAus & CE Certified
- One Year Warranty



HP	RPM	VOLTS	FRAME	CAT NO.	NOM EFF.	F.L. AMPS	WT (Lbs)	"C" DIMENSION (Inch)	FOOT NOTES
0.33	3600	208-230/460	56J	MQR-132J	63	1.43-1.32/.66	21	12.88	68
	3600	575	56J	MPR-132J	63	0.528	21	12.88	
0.50	3600	208-230/460	56J	MQR-122J	70	1.99-1.8/.9	21	12.88	68
	3600	575	56J	MPR-122J	70	0.72	21	12.88	
0.75	3600	208-230/460	56J	MQR-342J	73	2.63-2.37/1.87	22.5	12.88	68
	3600	575	56J	MPR-342J	73	0.95	22.5	12.88	
1	3600	208-230/460	56J	MQRP-102J	77	3.37-3.05/1.53	25	12.88	68
	3600	575	56J	MPRP-102J	77	1.22	25	12.88	
1.5	3600	208-230/460	56J	MQRP-152J	84	4.51-4.08/2.04	28	12.88	68
	3600	575	56J	MPRP-152J	84	1.63	28	12.88	
2	3600	208-230/460	56J	MQRP-202J	85.5	5.69-5.15/2.58	32	12.88	68
	3600	575	56J	MPRP-202J	85.5	2.06	32	12.88	
3	3600	208-230/460	56J	MQRP-302J	86.5	8.02-7.25/3.63	42	14.92	68
	3600	575	56J	MPRP-302J	86.5	2.9	42	14.92	

## Footnotes:

\* 68 = Rated and Nameplated 60/50 Hertz

# METRIC IE1 & IE3 ALUMINUM & CAST IRON MOTORS

IEC DESIGN, WITH NEMA B TORQUE CURVES

TEFC TOTALLY ENCLOSED FAN COOLED



## Features:

- Class H Insulation, with B Temp Rise
- SKF High Temperature Bearings
- Inverter Duty Magnet Wire meets MG1 Part 31 10:1 CT and 20:1 VT
- IP55 enclosure
- Rated and Nameplated 60/50 Hertz 190/380-415 or 380-415 @ 1.0 SF
- Aluminum Construction 56-160 Frame, Cast Iron 180-500 Frame
- Rotatable & Removable Bases 56-160 Frame, Rigid Base 180 and larger
- 56-112 Frames come with Sealed Bearings, 132 and larger are Re-Greasable
- PTC Installed on frames 132 and larger
- CSA Certified, CE Mark
- Three Year Warranty



HP	KW	RPM	VOLTS	FRAME	CAT NO.	NOM EFF.	F.L. AMPS	WT (Lbs)	"C" DIMENSION (Inch)	EFF	B14 FLANGE	B5 FLANGE	FOOT NOTES
0.13	0.09	1800	208-230/460	56	IJA562-4-24	54	.76-.69/.34	7.7	198.5	IE1	IJAB14-56	IJAB5-56	68
		1800	333/575	56	IJA562-4-35	54	.47/.27	7.7	198.5	IE1	IJAB14-56	IJAB5-56	
		1200	333/575	63	IJA631-6-35	44	.61/.35	9.9	217	IE1	IJAB14-63	IJAB5-63	
0.17	0.12	3600	208-230/460	56	IJA562-2-24	64	.72-.65/.33	7.7	198.5	IE1	IJAB14-56	IJAB5-56	68
		3600	333/575	56	IJA562-2-35	64	.45/.26	7.7	198.5	IE1	IJAB14-56	IJAB5-56	
		1800	208-230/460	63	IJA631-4-24	62	.83-.76/.38	8.6	217	IE1	IJAB14-63	IJAB5-63	68
		1800	333/575	63	IJA631-4-35	62	.53/.31	8.6	217	IE1	IJAB14-63	IJAB5-63	
		1200	333/575	63	IJA632-6-35	48	.72/.42	11	217	IE1	IJAB14-63	IJAB5-63	
0.25	0.19	3600	208-230/460	63	IJA631-2-24	63	1.02-.92/.46	9.46	217	IE1	IJAB14-63	IJAB5-63	68
		3600	333/575	63	IJA631-2-35	63	.61/.35	9.46	217	IE1	IJAB14-63	IJAB5-63	
		1800	208-230/460	63	IJA632-4-24	66	1.04-.94/.47	8.8	217	IE1	IJAB14-63	IJAB5-63	68
		1800	208-230/460	63	IJA632-4-24-B34	66	1.04-.94/.47	8.8	217	IE1	Included	-	68, B34
		1800	208-230/460	63	IJA632-4-24-B35	66	1.04-.94/.47	8.8	217	IE1	-	Included	68, B35
		1800	333/575	63	IJA632-4-35	66	.65/.38	8.8	217	IE1	IJAB14-63	IJAB5-63	
		1800	333/575	63	IJA632-4-35-B34	66	.65/.38	8.8	217	IE1	Included	-	B34
		1800	333/575	63	IJA632-4-35-B35	66	.65/.38	8.8	217	IE1	-	Included	B35
		1200	208-230/460	71	IJA711-6-24	52.5	1.44-1.3/.65	15.4	245	IE1	IJAB14-71	IJAB5-71	68
1200	333/575	71	IJA711-6-35	52.5	.90/.52	15.4	245	IE1	IJAB14-71	IJAB5-71			
0.33	0.25	3600	208-230/460	63	IJA632-2-24	64	1.34-1.21/.61	8.8	217	IE1	IJAB14-63	IJAB5-63	68
		3600	333/575	63	IJA632-2-35	64	.84/.48	8.8	217	IE1	IJAB14-63	IJAB5-63	
		1800	208-230/460	63	IJA633-4-24	68	1.38-1.25/.62	11	217	IE1	IJAB14-63	IJAB5-63	68
		1800	208-230/460	63	IJA633-4-24-B34	68	1.38-1.25/.62	11	217	IE1	Included	-	68, B34
		1800	333/575	63	IJA633-4-35	68	.86/.50	11	217	IE1	IJAB14-63	IJAB5-63	
		1800	333/575	63	IJA633-4-35-B34	68	.86/.50	11	217	IE1	Included	-	B34
		1800	208-230/460	71	IJA711-4-24	68	1.38-1.25/.62	11	245	IE1	IJAB14-71	IJAB5-71	68
		1800	208-230/460	71	IJA711-4-24-B34	68	1.38-1.25/.62	11	245	IE1	Included	-	68, B34
		1800	333/575	71	IJA711-4-35	68	.86/.50	11	245	IE1	IJAB14-71	IJAB5-71	
		1800	333/575	71	IJA711-4-35-B34	68	.86/.50	11	245	IE1	Included	-	
		1200	208-230/460	71	IJA712-6-24	57.5	1.77-1.6/.80	15.4	245	IE1	IJAB14-71	IJAB5-71	68
		1200	333/575	71	IJA712-6-35	57.5	1.11/.64	15.4	245	IE1	IJAB14-71	IJAB5-71	

## Footnotes:

- 
- B35 = Foot w/B5 Flange Installed

CHART CONTINUES ON NEXT PAGE





# METRIC IE1 & IE3 ALUMINUM & CAST IRON MOTORS

IEC DESIGN, WITH NEMA B TORQUE CURVES

TEFC TOTALLY ENCLOSED FAN COOLED



CHART CONTINUED FROM PREVIOUS PAGE

HP	KW	RPM	VOLTS	FRAME	CAT NO.	NOM EFF.	F.L. AMPS	WT (Lbs)	"C" DIMENSION (Inch)	EFF	B14 FLANGE	B5 FLANGE	FOOT NOTES
0.5	0.37	3600	208-230/460	63	IJA633-2-24	70	1.81-1.64/.82	11	217	IE1	IJAB14-63	IJAB5-63	68
		3600	208-230/460	63	IJA633-2-24-B34	70	1.81-1.64/.82	11	217	IE1	Included	-	68, B34
		3600	333/575	63	IJA633-2-35	70	1.13/.66	11	217	IE1	IJAB14-63	IJAB5-63	
		3600	333/575	63	IJA633-2-35-B34	70	1.13/.66	11	217	IE1	Included	-	B34
		3600	208-230/460	71	IJA711-2-24	70	1.81-1.64/.82	11	245	IE1	IJAB14-71	IJAB5-71	68
		3600	208-230/460	71	IJA711-2-24-B34	70	1.81-1.64/.82	11	245	IE1	Included	-	68, B34
		3600	333/575	71	IJA711-2-35	70	1.13/.66	11	245	IE1	IJAB14-71	IJAB5-71	
		3600	333/575	71	IJA711-2-35-B34	70	1.13/.66	11	245	IE1	Included	-	B34
		1800	208-230/460	71	IJA712-4-24	70	1.96-1.77/.88	12.1	245	IE1	IJAB14-71	IJAB5-71	68
		1800	208-230/460	71	IJA712-4-24-B34	70	1.96-1.77/.88	12.1	245	IE1	Included	-	68, B34
		1800	208-230/460	71	IJA712-4-24-B35	70	1.96-1.77/.88	12.1	245	IE1	-	Included	68, B35
		1800	333/575	71	IJA712-4-35	70	1.22/.71	12.1	245	IE1	IJAB14-71	IJAB5-71	
		1800	333/575	71	IJA712-4-35	70	1.22/.71	12.1	245	IE1	Included	-	B34
		1800	333/575	71	IJA712-4-35	70	1.22/.71	12.1	245	IE1	-	Included	B35
		1200	208-230/460	80	IJA801-6-24	62	2.37-2.14/1.04	20.24	286	IE1	IJAB14-80-IE1	IJAB5-80-IE1	68
		1200	333/575	80	IJA801-6-35	62	1.48/.86	20.24	286	IE1	IJAB14-80-IE1	IJAB5-80-IE1	
0.75	0.56	3600	208-230/460	71	IJA712-2-24	72	2.59-2.34/1.17	13.2	245	IE1	IJAB14-71	IJAB5-71	68
		3600	208-230/460	71	IJA712-2-24-B34	72	2.59-2.34/1.17	13.2	245	IE1	Included	-	68, B34
		3600	208-230/460	71	IJA712-2-24-B35	72	2.59-2.34/1.17	13.2	245	IE1	-	Included	68, B35
		3600	333/575	71	IJA712-2-35	72	1.62/.94	13.2	245	IE1	IJAB14-71	IJAB5-71	
		3600	333/575	71	IJA712-2-35-B34	72	1.62/.94	13.2	245	IE1	Included	-	B34
		3600	333/575	71	IJA712-2-35-B35	72	1.62/.94	13.2	245	IE1	-	Included	B35
		1800	208-230/460	71	IJA713-4-24	74	2.75-2.49/1.24	16.5	245	IE1	IJAB14-71	IJAB5-71	68
		1800	333/575	71	IJA713-4-35	74	1.72/1	16.4	245	IE1	IJAB14-71	IJAB5-71	
		1800	208-230/460	80	IJA801-4-24	74	2.75-2.49/1.24	17.6	286	IE1	IJAB14-80-IE1	IJAB5-80-IE1	68
		1800	208-230/460	80	IJA801-4-24-B35	74	2.75-2.49/1.24	17.6	286	IE1	-	Included	68, B35
		1800	333/575	80	IJA801-4-35	74	1.72/1	17.6	286	IE1	IJAB14-80-IE1	IJAB5-80-IE1	
		1800	333/575	80	IJA801-4-35-B35	74	1.72/1	17.6	286	IE1	-	Included	B35
		1200	208-230/460	80	IJA802-6-24	72	3.21-2.91/1.45	22	286	IE1	IJAB14-80-IE1	IJAB5-80-IE1	68
		1200	333/575	80	IJA802-6-35	72	2.01/1.16	22	286	IE1	IJAB14-80-IE1	IJAB5-80-IE1	
1	0.75	3600	208-230/460	71	IJA713-2-24	77	3.3-2.98/1.49	16.5	245	IE1	IJAB14-71	IJAB5-71	68
		3600	208-230/460	71	IJA713-2-24-B34	77	3.3-2.98/1.49	16.5	245	IE1	Included	-	68, B34
		3600	333/575	71	IJA713-2-35	77	2.06/1.19	16.5	245	IE1	IJAB14-71	IJAB5-71	
		3600	333/575	71	IJA713-2-35-B34	77	2.06/1.19	16.5	245	IE1	Included	-	B34
		3600	208-230/460	80	IJA801-2-24	77	3.30-2.98/1.49	19.8	300	IE3	IJAB14-80-IE3	IJAB5-80-IE3	68
		3600	208-230/460	80	IJA801-2-24-B35	77	3.30-2.98/1.49	19.8	300	IE3	-	Included	68, B35
		3600	333/575	80	IJA801-2-35	77	2.06/1.19	19.8	300	IE3	IJAB14-80-IE3	IJAB5-80-IE3	
		3600	333/575	80	IJA801-2-35-B35	77	2.06/1.19	19.8	300	IE3	-	Included	B35
		1800	208-230/460	80	IJA802-4-24	83.5	3.32-3.01/1.50	27.5	300	IE3	IJAB14-80-IE3	IJAB5-80-IE3	68
		1800	208-230/460	80	IJA802-4-24-B35	83.5	3.32-3.01/1.50	27.5	300	IE3	-	Included	68, B35
		1800	333/575	80	IJA802-4-35	83.5	2.08/1.2	27.5	300	IE3	IJAB14-80-IE3	IJAB5-80-IE3	
		1800	333/575	80	IJA802-4-35-B35	83.5	2.08/1.2	27.5	300	IE3	-	Included	B35
		1200	208-230/460	90	IJA90S-6-24	82.5	3.55-3.21/1.61	35.2	320	IE3	IJAB14-80-IE3	IJAB5-80-IE3	68
		1200	333/575	90	IJA90S-6-35	82.5	2.22/1.29	35.2	320	IE3	IJAB14-80-IE3	IJAB5-80-IE3	

**Footnotes:**

0 Hertz, 190-220/380-415 or 380-415 at 1.0SF

CHART CONTINUES ON NEXT PAGE



# METRIC IE1 & IE3 ALUMINUM & CAST IRON MOTORS

IEC DESIGN, WITH NEMA B TORQUE CURVES

TEFC TOTALLY ENCLOSED FAN COOLED



CHART CONTINUED FROM PREVIOUS PAGE

HP	KW	RPM	VOLTS	FRAME	CAT NO.	NOM EFF.	F.L. AMPS	WT (Lbs)	"C" DIMENSION (Inch)	EFF	B14 FLANGE	B5 FLANGE	FOOT NOTES
1.5	1.12	3600	208-230/460	80	IJA802-2-24	84	4.38-3.96/1.98	23.1	300	IE3	IJAB14-80-IE3	IJAB5-80-IE3	68
		3600	208-230/460	80	IJA802-2-24-B35	84	4.38-3.96/1.98	23.1	300	IE3	-	Included	68, B35
		3600	333/575	80	IJA802-2-35	84	2.74/1.58	23.1	300	IE3	IJAB14-80-IE3	IJAB5-80-IE3	
		3600	333/575	80	IJA802-2-35-B35	84	2.74/1.58	23.1	300	IE3	-	Included	B35
		1800	208-230/460	80	IJA803-4-24-IE1	79	5.02-4.54/2.27	23.1	300	IE1	IJAB14-80-IE1	IJAB5-80-IE1	68, d
		1800	208-230/460	80	IJA803-4-24-IE3	79	5.02-4.54/2.27	23.1	300	IE3	IJAB14-80-IE3	IJAB5-80-IE3	68
		1800	333/575	80	IJA803-4-35-IE1	79	3.14/1.82	23.1	300	IE1	IJAB14-80-IE3	IJAB5-80-IE3	d
		1800	333/575	80	IJA803-4-35-IE3	79	3.14/1.82	23.1	300	IE3	IJAB14-80-IE3	IJAB5-80-IE3	
		1800	208-230/460	90	IJA90S-4-24	86.5	4.64-4.2/2.1	35.2	320	IE3	IJAB14-90	IJAB5-90	68
		1800	333/575	90	IJA90S-4-35	86.5	2.90/1.68	35.2	320	IE3	IJAB14-90	IJAB5-90	
		1200	208-230/460	90	IJA90L-6-24	87.5	4.78-4.32/2.16	45.1	345	IE3	IJAB14-90	IJAB5-90	68
		1200	333/575	90	IJA90L-6-35	87.5	2.99/1.73	45.1	345	IE3	IJAB14-90	IJAB5-90	
2	1.49	3600	208-230/460	80	IJA803-2-24-IE1	79	6.12-5.53/2.77	26.4	300	IE1	IJAB14-80-IE1	IJAB5-80-IE1	68, d
		3600	208-230/460	80	IJA803-2-24-IE3	85.5	5.80-5.24/262	26.4	300	IE3	IJAB14-80-IE3	IJAB5-80-IE3	68
		3600	208-230/460	80	IJA803-2-24-IE3-B35	85.5	5.80-5.24/262	26.4	300	IE3	-	Included	68, B35
		3600	333/575	80	IJA803-2-35-IE1	79	3.82/2.21	24.5	300	IE1	IJAB14-80-IE1	IJAB5-80-IE1	d
		3600	333/575	80	IJA803-2-35-IE3	85.5	3.62/2.10	26.4	300	IE3	IJAB14-80-IE3	IJAB5-80-IE3	
		3600	333/575	80	IJA803-2-35-IE3-B35	85.5	3.62/2.10	26.4	300	IE3	-	Included	B35
		3600	208-230/460	90	IJA90S-2-24	85.5	5.8-5.24/2.62	29.7	320	IE3	IJAB14-90	IJAB5-90	68
		3600	333/575	90	IJA90S-2-35	85.5	3.62/2.10	29.7	320	IE3	IJAB14-90	IJAB5-90	
		1800	208-230/460	90	IJA90L-4-24	86.5	6.25-5.65/2.83	39.6	345	IE3	IJAB14-90	IJAB5-90	68
		1800	333/575	90	IJA90L-4-35	86.5	3.90/2.26	39.6	345	IE3	IJAB14-90	IJAB5-90	
		1200	208-230/460	100	IJA100L-6-24	88.5	6.44-5.83/2.91	51.7	405	IE3	IJAB14-100	IJAB5-100	68
		1200	333/575	100	IJA100L-6-35	88.5	4.02/2.33	51.7	405	IE3	IJAB14-100	IJAB5-100	
2.4	1.79	1800	208-230/460	90	IJA90L2-4-24	86.5	7.41-6.70/3.35	45.1	345	IE3	IJAB14-90	IJAB5-90	68
		1800	333/575	90	IJA90L2-4-35	86.5	4.63/2.68	45.1	345	IE3	IJAB14-90	IJAB5-90	
3	2.24	3600	208-230/460	90	IJA90L-2-24	86.5	8.31-7.51/3.76	37.4	345	IE3	IJAB14-90	IJAB5-90	68
		3600	333/575	90	IJA90L-2-35	86.5	5.19/3.00	37.4	345	IE3	IJAB14-90	IJAB5-90	
		1800	208-230/460	100	IJA100L1-4-24	89.5	8.42-7.62/3.81	55	405	IE3	IJAB14-100	IJAB5-100	68
		1800	333/575	100	IJA100L1-4-35	89.5	5.26/3.05	55	405	IE3	IJAB14-100	IJAB5-100	
		1200	208-230/460	112	IJA112M-6-46	89.5	9.22-8.34/4.17	56	400	IE3	IJAB14-112	IJAB5-112	68
		1200	575/990	112	IJA112M-6-59	89.5	3.34/1.94	66	400	IE3	IJAB14-112	IJAB5-112	
		1200	575/990	112	IJA112M-6-59-B34	89.5	3.34/1.94	66	400	IE3	Included	-	B34
4	2.98	3600	208-230/460	90	IJA90L2-2-24	88.5	10.8-9.78/4.89	42.9	345	IE3	IJAB14-90	IJAB5-90	68
		3600	333/575	90	IJA90L2-2-35	88.5	6.76/3.91	42.9	345	IE3	IJAB14-90	IJAB5-90	68
		3600	208-230/460	100	IJA100L-2-24	88.5	10.80-9.78/4.89	50.6	405	IE3	IJAB14-100	IJAB5-100	68
		3600	333/575	100	IJA100L-2-35	88.5	3.76/3.91	50.6	405	IE3	IJAB14-100	IJAB5-100	
		1800	208-230/460	100	IJA100L2-4-24	89.5	11.30-10.30/5.13	67.1	405	IE3	IJAB14-100	IJAB5-100	68
		1800	333/575	100	IJA100L2-4-35	89.5	7.09/4.10	67.1	405	IE3	IJAB14-100	IJAB5-100	
		1200	208-230/460	132	IJA132S-6-46	89.5	12.60-11.40/5.69	91.3	445	IE3	IJAB14-132	IJAB5-132	68
		1200	575/990	132	IJA132S-6-59	89.5	4.55/2.64	91.3	445	IE3	IJAB14-132	IJAB5-132	
		1200	575/990	132	IJA132S-6-59-B35	89.5	4.55/2.64	91.3	445	IE3	Included	-	B34

Footnotes:

- \* B35 = Fo
- \* d = Discontinued and Replaced with Premium Version

CHART CONTINUES ON NEXT PAGE



# METRIC IE1 & IE3 ALUMINUM & CAST IRON MOTORS

IEC DESIGN, WITH NEMA B TORQUE CURVES

TEFC TOTALLY ENCLOSED FAN COOLED



CHART CONTINUED FROM PREVIOUS PAGE

HP	KW	RPM	VOLTS	FRAME	CAT NO.	NOM EFF.	F.L. AMPS	WT (Lbs)	"C" DIMENSION (Inch)	EFF	B14 FLANGE	B5 FLANGE	FOOT NOTES
5.5	4.1	3600	208-230/460	112	IJA112M-2-46	88.5	14.30-12.90/6.45	88.5	400	IE3	IJAB14-112	IJAB5-112	68
		3600	575/990	112	IJA112M-2-59	88.5	5.16/3.00	88.5	400	IE3	IJAB14-112	IJAB5-112	
		1800	208-230/460	112	IJA112M-4-46	89.5	15.10-13.70/6.84	82.5	400	IE3	IJAB14-112	IJAB5-112	
		1800	575/990	112	IJA112M-4-59	89.5	5.47/3.18	82.5	400	IE3	IJAB14-112	IJAB5-112	
		1200	208-230/460	132	IJA132M1-6-46	89.5	16.80-15.20/7.58	108.9	485	IE3	IJAB14-132	IJAB5-132	
		1200	575/990	132	IJA132M1-6-59	89.5	6.10/3.52	108.9	485	IE3	IJAB14-132	IJAB5-132	
7.5	5.6	3600	208-230/460	112	IJA112M2-2-46	89.5	19.40-17.50/8.76	79.2	400	IE3	IJAB14-112	IJAB5-112	68
		3600	575/990	112	IJA112M2-2-59	89.5	7.01/4.07	79.2	400	IE3	IJAB14-112	IJAB5-112	
		3600	208-230/460	132	IJA132S1-2-46	89.5	19.40-17.50/8.76	94.6	445	IE3	IJAB14-132	IJAB5-132	
		3600	575/990	132	IJA132S1-2-59	89.5	7.01/4.07	94.6	445	IE3	IJAB14-132	IJAB5-132	
		1800	208-230/460	132	IJA132S-4-46	91.7	20.10-18.10/9.07	107.8	445	IE3	IJAB14-132	IJAB5-132	
		1800	575/990	132	IJA132S-4-59	91.7	7.26/4.21	107.8	445	IE3	IJAB14-132	IJAB5-132	
		1200	208-230/460	132	IJA132M2-6-46	91	22.40-20.20/10.10	133	485	IE3	IJAB14-132	IJAB5-132	
		1200	575/990	132	IJA132M2-6-59	91	8.09/4.70	133	485	IE3	IJAB14-132	IJAB5-132	
10	7.46	3600	208-230/460	112	IJA112M3-2-46	90.2	26.2-23.7/11.9	84.7	400	IE3	IJAB14-112	IJAB5-112	68
		3600	575/990	112	IJA112M3-2-59	90.2	9.49/5.51	84.7	400	IE3	IJAB14-112	IJAB5-112	
		3600	208-230/460	132	IJA132S2-2-46	90.2	26.20-23.70/11.90	105.6	445	IE3	IJAB14-132	IJAB5-132	
		3600	575/990	132	IJA132S2-2-59	90.2	9.49/5.51	105.6	445	IE3	IJAB14-132	IJAB5-132	
		1800	208-230/460	132	IJA132M-4-46	91.7	27-24.40/12.20	128.7	485	IE3	IJAB14-132	IJAB5-132	
		1800	575/990	132	IJA132M-4-59	91.7	9.78/5.68	128.7	485	IE3	IJAB14-132	IJAB5-132	
		1200	208-230/460	160	IJA160M-6-46	91	29-26.20/13.10	184.8	615	IE3	N/A	IJAB5-160	
		1200	575/990	160	IJA160M-6-59	91	10.50/6.08	184.8	615	IE3	N/A	IJAB5-160	
12.4	9.25	3600	208-230/460	132	IJA132M1-2-46	90.2	32.20-28.90/14.50	125.4	485	IE3	IJAB14-132	IJAB5-132	68
		3600	575/990	132	IJA132M1-2-59	90.2	11.60/6.72	125.4	485	IE3	IJAB14-132	IJAB5-132	
		1800	208-230/460	132	IJA132M1-4-46	90.4	33.80-30.60/15.30	158.4	485	IE3	IJAB14-132	IJAB5-132	
		1800	575/990	132	IJA132M1-4-59	90.4	12.20/7.10	158.4	485	IE3	IJAB14-132	IJAB5-132	
15	11.19	3600	208-230/460	132	IJA132M2-2-46	91	37.70-34.10/17	129.8	485	IE3	IJAB14-132	IJAB5-132	68
		3600	575/990	132	IJA132M2-2-59	91	13.60/7.92	129.8	485	IE3	IJAB14-132	IJAB5-132	
		3600	208-230/460	160	IJA160M1-2-46	91	37.70-34.10/17	185.9	615	IE3	N/A	IJAB5-160	
		3600	575/990	160	IJA160M1-2-59	91	13.60/7.92	185.9	615	IE3	N/A	IJAB5-160	
		1800	208-230/460	160	IJA160M-4-46	92.4	38.90-35.20/17.60	221.1	615	IE3	N/A	IJAB5-160	
		1800	575/990	160	IJA160M-4-59	92.4	14.10/8.17	221.1	615	IE3	N/A	IJAB5-160	
		1200	208-230/460	160	IJA160L-6-46	91.7	41.60-37.60/18.80	236.5	660	IE3	N/A	IJAB5-160	
		1200	575/990	160	IJA160L-6-59	91.7	15.04/8.71	236.5	660	IE3	N/A	IJAB5-160	

**Footnotes:**

\* 68 = Rated and Nameplated 60/50 Hertz

NEXT PAGE



# METRIC IE1 & IE3 ALUMINUM & CAST IRON MOTORS

IEC DESIGN, WITH NEMA B TORQUE CURVES

TEFC TOTALLY ENCLOSED FAN COOLED



CHART CONTINUED FROM PREVIOUS PAGE

HP	KW	RPM	VOLTS	FRAME	CAT NO.	NOM EFF.	F.L. AMPS	WT (Lbs)	"C" Dimension (Inch)	EFF	B14 FLANGE	B5 FLANGE	FOOT NOTES
20	14.92	3600	208-230/460	132	IJA132M3-2-46	91	51.4-46.5/23.2	143	485	IE3	IJAB14-132	IJAB5-132	68
		3600	575/990	132	IJA132M3-2-59	91	18.6/10.8	143	485	IE3	IJAB14-132	IJAB5-132	
		3600	208-230/460	160	IJA160M2-2-46	91	51.40-46.50/23.20	210.1	615	IE3	N/A	IJAB5-160	68
		3600	575/990	160	IJA160M2-2-59	91	18.60/10.80	210.1	615	IE3	N/A	IJAB5-160	
		1800	208-230/460	160	IJA160L-4-46	93	52.10-47.10/23.50	237.6	660	IE3	N/A	IJAB5-160	68
		1800	575/990	160	IJA160L-4-59	93	18.80/10.90	237.6	660	IE3	N/A	IJAB5-160	
		1200	208-230/460	180	IJC180L-6-46	91.7	56.10-50.70/25.30	430	690	IE3	N/A	IJCB5-180	68
		1200	575/990	180	IJC180L-6-59	91.7	20.24/11.73	430	690	IE3	N/A	IJCB5-180	
25	18.65	3600	208-230/460	160	IJA160L-2-46	91.7	92.90-56.90/28.50	238.7	660	IE3	N/A	IJAB5-160	68
		3600	575/990	160	IJA160L-2-59	91.7	22.80/13.20	238.7	660	IE3	N/A	IJAB5-160	
		1800	208-230/460	180	IJC180M-4-46	93.6	63.80-57.70/28.80	406	652	IE3	N/A	IJCB5-180	68
		1800	575/990	180	IJC180M-4-59	93.6	23.10/13.40	406	652	IE3	N/A	IJCB5-180	
		1200	460/796	200	IJC200L1-6-47	93	30.80/17.80	507.8	746	IE3	N/A	IJCB5-200	68
		1200	575/990	200	IJC200L1-6-59	93	24.64/14.30	507.8	746	IE3	N/A	IJCB5-200	
30	22.38	3600	208-230/460	160	IJA160L2-2-46	91.7	74.80-67.70/33.80	245.3	660	IE3	N/A	IJAB5-160	68
		3600	575/990	160	IJA160L2-2-59	91.7	27.10/15.70	245.3	660	IE3	N/A	IJAB5-160	
		3600	208-230/460	180	IJC180M-2-46	91.7	74.80-67.70/33.80	412.7	652	IE3	N/A	IJCB5-180	68
		3600	575/990	180	IJC180M-2-59	91.7	27.10/15.70	412.7	652	IE3	N/A	IJCB5-180	
		1800	208-230/460	180	IJC180L-4-46	93.6	75.90-68.60/34.30	467	690	IE3	N/A	IJCB5-180	68
		1800	575/990	180	IJC180L-4-59	93.6	27.40/15.90	467	690	IE3	N/A	IJCB5-180	
		1200	460/796	200	IJC200L2-6-47	93	36.70/21.20	358.8	746	IE3	N/A	IJCB5-200	68
		1200	575/990	200	IJC200L2-6-59	93	29.36/26.10	358.8	746	IE3	N/A	IJCB5-200	
40	29.84	3600	460/796	200	IJC200L1-2-47	92.4	45.80/26.50	550	746	IE3	N/A	IJCB5-200	68
		3600	575/990	200	IJC200L1-2-59	92.4	36.60/21.30	550	746	IE3	N/A	IJCB5-200	
		1800	460/796	200	IJC200L-4-47	94.1	46.50/26.90	583	746	IE3	N/A	IJCB5-200	68
		1800	575/990	200	IJC200L-4-59	94.1	37.20/21.60	583	746	IE3	N/A	IJCB5-200	
		1200	460/796	225	IJC225M-6-47	94.1	48.20/27.990	667	810	IE3	N/A	IJCB5-225	68
		1200	575/990	225	IJC225M-6-59	94.1	38.56/22.40	667	810	IE3	N/A	IJCB5-225	
50	37.3	3600	460/796	200	IJC200L2-2-47	93	56.10/32.40	567.6	746	IE3	N/A	IJCB5-200	68
		3600	575/990	200	IJC200L2-2-59	93	44.90/26.10	567.6	746	IE3	N/A	IJCB5-200	
		1800	460/796	225	IJC225S-4-47	94.5	57.10/33	727	780	IE3	N/A	IJCB5-225	68
		1800	575/990	225	IJC225S-4-59	94.5	45.70/26.60	727	780	IE3	N/A	IJCB5-225	
		1200	460/796	250	IJC250M-6-47	94.1	58.80/34	874.5	900	IE3	N/A	IJCB5-250	68
		1200	575/990	250	IJC250M-6-59	94.4	47.04/27.30	874.5	900	IE3	N/A	IJCB5-250	
60	44.76	3600	460/796	225	IJC225M-2-47	93.6	67/38.70	716	780	IE3	N/A	IJCB5-225	68
		3600	575/990	225	IJC225M-2-59	93.6	53.60/31.20	716	780	IE3	N/A	IJCB5-225	
		1800	460/796	225	IJC225M-4-47	95	69.10/39.90	797	810	IE3	N/A	IJCB5-250	68
		1800	575/990	225	IJC225M-4-59	95	55.30/32.10	797	810	IE3	N/A	IJCB5-250	
		1200	460/796	250	IJC280S-6-47	93.7	70.30/40.60	1107	982	IE3	N/A	IJCB5-280	68
		1200	575/990	250	IJC280S-6-59	93.7	56.24/32.60	1107	982	IE3	N/A	IJCB5-280	
75	55.95	3600	460/796	250	IJC250M-2-47	93.6	81.90/47.40	910.7	900	IE3	N/A	IJCB5-250	68
		3600	575/990	250	IJC250M-2-59	93.6	65.60/38.10	910.7	900	IE3	N/A	IJCB5-250	
		1800	460/796	250	IJC250M-4-47	95.4	84.10/48.60	979	900	IE3	N/A	IJCB5-250	68
		1800	575/990	250	IJC250M-4-59	95.4	67.30/39.10	979	900	IE3	N/A	IJCB5-250	
		1200	460/796	280	IJC280M-6-47	94.5	85.90/49.60	1263.5	1033	IE3	N/A	IJCB5-280	68
		1200	575/990	280	IJC280M-6-59	94.5	68.72/39.80	1263.5	1033	IE3	N/A	IJCB5-280	

**Footnotes:**

\* 68 = Rated and Nameplated 60/50 Hertz

CHART CONTINUES ON NEXT PAGE



# METRIC IE1 & IE3 ALUMINUM & CAST IRON MOTORS

IEC DESIGN, WITH NEMA B TORQUE CURVES

TEFC TOTALLY ENCLOSED FAN COOLED



CHART CONTINUED FROM PREVIOUS PAGE

HP	KW	RPM	VOLTS	FRAME	CAT NO.	NOM EFF.	F.L. AMPS	WT (Lbs)	"C" Dimension (Inch)	EFF	B14 FLANGE	B5 FLANGE	FOOT NOTES
100	74.6	3600	460/796	280	IJC280S-2-47	94.1	111/64.20	1203.9	982	IE3	N/A	IJCB5-280-2POLE	68
		3600	575/990	280	IJC280S-2-59	94.1	88.90/51.60	1203.9	982	IE3	N/A	IJCB5-280-2POLE	
		1800	460/796	280	IJC280S4-4-47	95.4	112/64.80	1292	982	IE3	N/A	IJCB5-280	68
		1800	575/990	280	IJC280S4-4-59	95.4	89.70/52.10	1292	982	IE3	N/A	IJCB5-280	
		1200	460/796	315	IJC315S-6-47	95	117/67.60	1858.8	1208	IE3	N/A	IJCB5-315	68
		1200	575/990	315	IJC315S-6-59	95	93.60/54.60	1858.8	1208	IE3	N/A	IJCB5-315	
125	93.25	3600	460/796	280	IJC280M-2-47	95	134/77.40	1304.6	1033	IE3	N/A	IJCB5-280-2POLE	68
		3600	575/990	280	IJC280M-2-59	95	106/61.40	1304.6	1033	IE3	N/A	IJCB5-280-2POLE	
		1800	460/796	280	IJC280M-4-47	95.4	136/78.60	1409	1033	IE3	N/A	IJCB5-280	68
		1800	575/990	280	IJC280M-4-59	95.4	108.80/63.20	1409	1033	IE3	N/A	IJCB5-280	
		1200	460/796	315	IJC315M-6-47	95	140/80.90	2074.9	1318	IE3	N/A	IJCB5-315	68
		1200	575/990	315	IJC315M-6-59	95	112/65	2074.9	1318	IE3	N/A	IJCB5-315	
150	111.19	3600	460/796	315	IJC315S-2-47	95	161/93	1977.9	1178	IE3	N/A	IJCB5-315	68
		3600	575/990	315	IJC315S-2-59	95	128.80/74.8	1977.9	1178	IE3	N/A	IJCB5-315	
		1800	460/796	315	IJC315S-4-47	95.8	164/94.80	2070.5	1208	IE3	N/A	IJCB5-315	68
		1800	575/990	315	IJC315S-4-59	95.8	131.20/76	2070.5	1208	IE3	N/A	IJCB5-315	
		1200	460/796	315	IJC315L1-6-47	95.8	168/97.10	2242.5	1318	IE3	N/A	IJCB5-315	68
		1200	575/990	315	IJC315L1-6-59	95.8	134.40/77.70	2242.5	1318	IE3	N/A	IJCB5-315	
180	134.28	3600	460/796	315	IJC315M-2-47	95.4	193/111.50	2268.9	1288	IE3	N/A	IJCB5-315	68
		3600	575/990	315	IJC315M-2-59	95.4	154.40/89.32	2268.9	1288	IE3	N/A	IJCB5-315	
		1800	460/796	315	IJC315M-4-47	96.2	196/113.3	2277.7	1318	IE3	N/A	IJCB5-315	68
		1800	575/990	315	IJC315M-4-59	96.2	156.80/91.10	2277.7	1318	IE3	N/A	IJCB5-315	
		1200	460/796	315	IJC315L2-6-47	86.5	201/116.20	2471.8	1318	IE3	N/A	IJCB5-315	68
		1200	575/990	315	IJC315L2-6-59	86.5	160.80/93.40	2471.8	1318	IE3	N/A	IJCB5-315	
200	149.2	3600	460/796	315	IJC315L1-2-47	95.4	234/135.20	2352.7	1288	IE3	N/A	IJCB5-315	68
		3600	575/990	315	IJC315L1-2-59	95.4	187.20/108.50	2352.7	1288	IE3	N/A	IJCB5-315	
		1800	460/796	315	IJC315L1-4-47	96.2	237/137	2482.8	1318	IE3	N/A	IJCB5-315	68
		1800	575/990	315	IJC315L1-4-59	96.2	189.60/110.20	2482.8	1318	IE3	N/A	IJCB5-315	
270	201.42	3600	460/796	315	IJC315L2-2-47	95.8	288/166.50	2632.77	1288	IE3	N/A	IJCB5-315	68
		3600	575/990	315	IJC315L2-2-59	95.8	230/40/133.40	2632.77	1288	IE3	N/A	IJCB5-315	
		1800	460/796	315	IJC315L2-4-47	96.2	297/171.60	2729.8	1318	IE3	N/A	IJCB5-315	68
		1800	575/990	315	IJC315L2-4-59	96.2	237.60/138	2729.8	1318	IE3	N/A	IJCB5-315	

**Footnotes:**

\* 68 = Rated and Nameplated 60/50 Hertz



# PREMIUM DESIGN B NEMA 12-12

304 GRADE STAINLESS STEEL TENV TOTALLY ENCLOSED  
NON-VENTILATED & TEFC TOTALLY ENCLOSED FAN COOLED



## Features:

- MG-1 Design B and MG-1 Part 31
- Meets or exceeds NEMA Premium Efficiencies (1HP)
- IP66 enclosure
- Rated and Nameplated 60/50 Hertz 190/380-415 @ 1.0 SF
- Inverter Duty 10:1 Constant Torque,  
20:1 Variable Torque 1.0 SF meets MG1 parts 31.4.4.2
- Class F Insulation
- CSAus & CE Certified
- Three Year Warranty



HP	RPM	VOLTS	FRAME	CAT NO.	ENCLOSURE	NOM EFF.	F.L. AMPS	WT (Lbs)	"L" Dimension (Inch)	B14 FLANGE	B5 FLANGE	FOOT NOTES
0.25	3600	208-230/460	63	MQSJ-6312	TENV	73	1.17-1.06/.53	17.6	9.53	63JB14SS	63JB5SS	68,B3
	3600	575	63	MPSJ-6312	TENV	73	0.424	17.6	9.53	63JB14SS	63JB5SS	B3
	1800	208-230/460	63	MQSJ-6324	TENV	75	1.17-1.06/.53	17.6	9.53	63JB14SS	63JB5SS	68,B3
	1800	575	63	MPSJ-6324	TENV	75	0.424	17.6	9.53	63JB14SS	63JB5SS	B3
	1800	208-230/460	63	MQSJ-6324NVB14	TENV	75	1.06-1.06/.53	17.6	9.53	Included	-	68,B14
	1200	208-230/460	71	MQSJ-7116NVB14	TENV	63	1.46-1.32/.66	20.9	12.24	Included	-	68,B14
	1200	575	71	MPSJ-7116NVB14	TENV	63	0.528	20.9	12.24	Included	-	B14
0.33	3600	208-230/460	63	MQSJ-6322	TENV	74	1.26-1.14/.57	17.6	9.53	63JB14SS	63JB5SS	68,B3
	3600	575	63	MPSJ-6322	TENV	74	0.456	17.6	9.53	63JB14SS	63JB5SS	B3
	1800	208-230/460	71	MQSJ-7114NVB14	TENV	78	1.26-1.14/.57	18.7	9.84	Included	-	68,B14
	1200	208-230/460	71	MQSJ-7126	TENV	67	1.59-1.44/.72	25.3	12.24	71JB14SS	71JB5SS	68,B3
	1200	575	71	MPSJ-7126	TENV	67	0.576	25.3	12.24	71JB14SS	71JB5SS	B3
0.50	3600	208-230/460	71	MQSJ-7112	TENV	80	1.71-1.55/.775	25.3	9.84	71JB14SS	71JB5SS	68,B3
	3600	575	71	MPSJ-7112	TENV	80	0.62	25.3	9.84	71JB14SS	71JB5SS	B3
	1800	208-230/460	71	MQSJ-7124	TENV	78	1.65-1.5/.75	26	9.84	71JB14SS	71JB5SS	68,B3
	1800	575	71	MPSJ-7124	TENV	78	0.648	23.1	9.84	71JB14SS	71JB5SS	B3
	1800	208-230/460	71	MQSJ-7124NVB14	TENV	78	1.65-1.5/.75	26	9.84	Included	-	68,B14
	1800	575	71	MPSJ-7124NVB14	TENV	78	0.648	23.1	9.84	Included	-	B14
	1200	208-230/460	80	MQSJ-8016	TENV	77	1.94-1.75/0.875	38.5	12.8	80JB14SS	80JB5SS	68,B3
	1200	575	80	MPSJ-8016	TENV	77	0.7	38.5	12.8	80JB14SS	80JB5SS	B3
0.75	3600	208-230/460	71	MQSJ-7122	TENV	80	2.29-2.075/1.037	28.6	9.84	71JB14SS	71JB5SS	68,B3
	3600	575	71	MPSJ-7122	TENV	80	0.83	28.6	9.84	71JB14SS	71JB5SS	B3
	1800	208-230/460	80	MQSJ-8014	TENV	81.1	2.43-2.2/1	35	12.8	80JB14SS	80JB5SS	68,B3
	1800	575	80	MPSJ-8014	TENV	79	0.896	35	12.8	80JB14SS	80JB5SS	B3
	1800	208-230/460	80	MQSJ-8014NVB14	TENV	81.1	2.43-2.2/1	35	12.8	Included	-	68,B14
	1800	575	80	MPSJ-8014NVB14	TENV	79	0.896	35	12.8	Included	-	B14
1	3600	208-230/460	80	MQSPJ-8012	TENV	77	2.8-2.6/1.3	37	12.8	80JB14SS	80JB5SS	68,B3
	3600	575	80	MPSPJ-8012	TENV	77	1.072	37	12.8	80JB14SS	80JB5SS	B3
	3600	208-230/460	80	MQSPJ-8012NVB14	TENV	77	2.8-2.6/1.3	37	14.21	Included	-	68,B14
	3600	575	80	MPSPJ-8012NVB14	TENV	77	1.072	37	14.21	Included	-	B14
	3600	208-230/460	80	MQSPJ-8012FC	TEFC	77	2.8-2.6/1.3	37	14.21	80JB14SS	80JB5SS	68,B3
	3600	575	80	MPSPJ-8012FC	TEFC	77	1.072	37	14.21	80JB14SS	80JB5SS	B3

## Footnotes:

- \* 68 = Rated and Nameplated 60/50 Hertz
- \* B14 = Round Body, B14 Flange Installed
- \* B3 = Rigid Base, no Flange

CHART CONTINUES ON NEXT PAGE



# PREMIUM DESIGN B NEMA 12-12

304 GRADE STAINLESS STEEL TENV TOTALLY ENCLOSED  
NON-VENTILTED & TEFC TOTALLY ENCLOSED FAN COOLED



CHART CONTINUED FROM PREVIOUS PAGE

HP	RPM	VOLTS	FRAME	CAT NO.	ENCLOSURE	NOM EFF.	F.L. AMPS	WT (Lbs)	"L" Dimension (Inch)	B14 FLANGE	B5 FLANGE	FOOT NOTES
1	1800	208-230/460	80	MQSPJ-8024	TENV	85.5	3.5-3.2/1.6	48	12.8	80JB14SS	80JB5SS	68,B3
	1800	575	80	MPSPJ-8024	TENV	85.5	1.3	48	12.8	80JB14SS	80JB5SS	B3
	1800	208-230/460	80	MQSPJ-8024NVB14	TENV	85.5	3.5-3.2/1.6	48	12.8	Included	-	68 ,B14
	1800	575	80	MPSPJ-8024NVB14	TENV	85.5	1.3	48	12.8	Included	-	B14
	1800	208-230/460	80	MQSPJ-8024NVB34	TENV	85.5	3.5-3.2/1.6	48	12.8	Included	-	68 ,B34
	1800	208-230/460	80	MQSPJ-8024FC	TEFC	85.5	3.5-3.2/1.6	48	14.21	80JB14SS	80JB5SS	68,B3
	1800	575	80	MPSPJ-8024FC	TEFC	85.5	1.3	48	14.21	80JB14SS	80JB5SS	B3
	1200	208-230/460	90	MQSPJ-90S6FC	TEFC	82.5	4.64-4.2/2.1	44	14.53	90JB14SS	90JB5SS	68, B3
	1200	575	80	MPSPJ-90S6FC	TEFC	82.5	1.68	44	14.53	90JB14SS	90JB5SS	B3
1.5	3600	208-230/460	80	MQSPJ-8022FC	TEFC	86.5	3.98-3.6/1.8	48	14.21	80JB14SS	80JB5SS	68,B3
	3600	575	80	MPSPJ-8022FC	TEFC	86.5	1.44	48	14.21	80JB14SS	80JB5SS	B3
	3600	208-230/460	80	MQSPJ-90S4FC	TEFC	86.5	4.74-4.29/2.145	48.4	14.53	90JB14SS	90JB5SS	68,B3
	3600	575	80	MPSPJ-90S4FC	TEFC	86.5	1.716	48.4	14.53	90JB14SS	90JB5SS	B3
	1200	208-230/460	90	MQSPJ-90L6FC	TEFC	87.5	5.31-4.8/2.4	57.2	16.3	90JB14SS	90JB5SS	68,B3
	1200	575	90	MPSPJ-90L6FC	TEFC	87.5	1.92	57.2	16.3	90JB14SS	90JB5SS	B3
2	3600	208-230/460	90	MQSPJ-90S2FC	TEFC	85.5	5.64-5.1/2.55	48.4	14.53	90JB14SS	90JB5SS	68,B3
	3600	575	90	MPSPJ-90S2FC	TEFC	85.5	2.04	48.4	14.53	90JB14SS	90JB5SS	B3
	1800	208-230/460	90	MQSPJ-90L4FC	TEFC	86.5	6.44-5.82/2.91	59.4	16.33	90JB14SS	90JB5SS	68,B3
	1800	575	90	MPSPJ-90L4FC	TEFC	86.5	2.328	59.4	16.33	90JB14SS	90JB5SS	B3
	1200	208-230/460	100	MQSPJ-100L6FC	TEFC	88.5	6.41-5.8/2.7	83.6	17.05	100JB14SS	100JB5SS	68,B3
	1200	575	100	MPSPJ-100L6FC	TEFC	88.5	2.16	83.6	17.05	100JB14SS	100JB5SS	B3
3	3600	208-230/460	90	MQSPJ-90L2FC	TEFC	86.5	7.96-7.2/3.6	64.9	16.33	90JB14SS	90JB5SS	68,B3
	3600	575	90	MPSPJ-90L2FC	TEFC	86.5	2.88	64.9	16.33	90JB14SS	90JB5SS	B3
	1800	208-230/460	100	MQSPJ-100L14FC	TEFC	89.5	7.93-7.2/3.6	74.8	17.05	100JB14SS	100JB5SS	68,B3
	1800	575	100	MPSPJ-100L14FC	TEFC	89.5	2.88	74.8	17.05	100JB14SS	100JB5SS	B3
	1200	208-230/460	112	MQSPJ-112M6FC	TEFC	89.5	9.29-8.4/4.2	111.1	18.46	112JB14SS	112JB5SS	68,B3
	1200	575	112	MPSPJ-112M6FC	TEFC	89.5	3.36	111.1	18.46	112JB14SS	112JB5SS	B3
4	3600	208-230/460	100	MQSPJ-100L2FC	TEFC	88.5	10.73-9.7/4.85	81.4	16.3	100JB14SS	100JB5SS	68,B3
	3600	575	100	MPSPJ-100L2FC	TEFC	88.5	3.88	81.4	16.3	100JB14SS	100JB5SS	B3
	1800	208-230/460	100	MQSPJ-100L24FC	TEFC	89.5	11.01-9.96/4.98	92.4	17.05	100JB14SS	100JB5SS	68,B3
	1800	575	100	MPSPJ-100L24FC	TEFC	89.5	3.984	92.4	17.05	100JB14SS	100JB5SS	B3
5.5	3600	208-230/460	112	MQSPJ-112M2FC	TEFC	88.5	14.22-12.86/6.43	99	18.46	112JB14SS	112JB5SS	68,B3
	3600	575	112	MPSPJ-112M2FC	TEFC	88.5	5.144	99	18.46	112JB14SS	112JB5SS	B3
	1800	208-230/460	112	MQSPJ-112M4FC	TEFC	89.5	14.6-13.2/6.6	111.1	18.46	112JB14SS	112JB5SS	68,B3
	1800	575	112	MPSPJ-112M4FC	TEFC	89.5	5.28	111.1	18.46	112JB14SS	112JB5SS	B3
7.5	3600	208-230/460	132	MQSPJ-132S12FC	TEFC	89.5	20.5-18.54/9.27	145.2	20.63	132JB14SS	132JB5SS	68,B3
	3600	575	132	MPSPJ-132S12FC	TEFC	89.5	7.416	145.2	20.63	132JB14SS	132JB5SS	B3
	1800	208-230/460	132	MQSPJ-132S4FC	TEFC	91.7	19.9-18/9	173.8	20.63	132JB14SS	132JB5SS	68,B3
	1800	575	132	MPSPJ-132S4FC	TEFC	91.7	7.2	173.8	20.63	132JB14SS	132JB5SS	B3
10	3600	208-230/460	132	MQSPJ-132S22FC	TEFC	90.2	26.23-23.72/11.86	171.6	20.63	132JB14SS	132JB5SS	68,B3
	3600	575	132	MPSPJ-132S22FC	TEFC	90.2	9.488	171.6	20.63	132JB14SS	132JB5SS	B3
	1800	208-230/460	132	MQSPJ-132M4FC	TEFC	91.7	26.1-23.6/11.8	200.2	20.2	132JB14SS	132JB5SS	68,B3
	1800	575	132	MPSPJ-132M4FC	TEFC	91.7	9.44	200.2	20.2	132JB14SS	132JB5SS	B3

**Footnotes:**

\* 68 = Rated and Nameplated 60/50 Hertz  
\* B3 = Rigid Base, no Flange

\* B14 = Round Body, B14 Flange Installed  
\* B34 = Rigid Base, B14 Flange installed



# FAN and BLOWER MOTOR DIRECT DRIVE PSC

HEAVY GAUGE ROLLED STEEL CONSTRUCTION

OPEN AIR OVER DESIGN FLEX MOUNT MOTORS



## Features:

- Open Frames and Brackets
- Multi-speed Capacity
- Weather Resistant Reversing Plug
- 30" Long Leads
- Automatic Reset Thermal Protector
- Ball Bearings
- UL reconized and CSA Certified
- Capacitor Included
- Shaft 1/2" X 6"



HP	RPM	VOLTS	FRAME	CAT NO.	S.F	F.L. AMPS	WT (Lbs)	"C" DIMENSION (Inch)
0.25	1075/4	115	48Y	MDD146/4SP	1.0	14	14	4.25
0.33	1075/4	115	48Y	MDD136/4SP	1.0	15	15	4.5
0.50	1075/4	115	48Y	MDD126/4SP	1.0	18	18	5

## FARM DUTY PSC MOTOR

TEAO TOTALLY ENCLOSED AIR OVER DESIGN

VARIABLE SPEEDS | VARIABLE SPEED CONTROLLED 1 PHASE INPUT

## Features:

- Ball Bearings
- Continuous Duty
- Extended Thru-Bolts
- Automatic Reset Thermal Overload
- Full Gasketed
- 1/2" x 2-1/2" Long Shaft with Two Flats, 90 Degree Apart
- UL reconized and CSA Certified



HP	RPM	VOLTS	FRAME	CAT NO.	S.F	F.L. AMPS	WT (Lbs)	"C" DIMENSION (Inch)
0.33	1625	115/230	48YZ	MVS-134SB	1.0	3.8/1.9	22.15	11.81
0.50	1625	115/230	48YZ	MVS-124SB	1.0	5.4/2.7	24.4	11.81



# DC PERMANENT MAGNET MOTOR

HEAVY GAUGE ROLLED STEEL CONSTRUCTION | TENV TOTALLY NON-VENTILATED & TEFC TOTALLY ENCLOSED FAN COOLED SCR RATED, 90VDC, 180VDC



## Features:

- Class F Insulation
- IP45 Rated
- NEMA C-Face with Removable Base
- Highest Quality Permanent Magnets for High Starting Torque and Increased Efficiency
- Permanently Lubricated Sealed Ball Bearings
- Linear Speed/Torque Throughout Speed Range 20:1 CT
- ROHS Compliant
- UL Recognized and CSA Certified



HP	RPM	ARMATURE DC VOLTS	FRAME	CAT NO.	ENCLOSURE	F.L. AMPS	WT (Lbs)	"C" DIMENSION (Inch)	TORQUE (IN.LBS)
0.25	1750	90	56C	MM2590NV	TENV	2.05	21	8	9
	1750	90	56C	MM2590FC	TEFC	2.05	21	9.6	9
	1750	180	56C	MM2518NV	TENV	2.55	21	8	9
	1750	180	56C	MM2518FC	TEFC	2.55	21	9.6	9
0.33	1750	90	56C	MM3390NV	TENV	5.1	23	8	13.5
	1750	90	56C	MM3390FC	TEFC	5.1	23	9.6	13.5
	1750	180	56C	MM3318NV	TENV	2.55	23	8	13.5
	1750	180	56C	MM3318FC	TEFC	2.55	23	9.6	13.5
0.5	1750	90	56C	MM5090NV	TENV	6.28	25	8.88	18
	1750	90	56C	MM5090FC	TEFC	6.28	25	10.4	18
	1750	180	56C	MM5018NV	TENV	3.14	25	8.88	18
	1750	180	56C	MM5018FC	TEFC	3.14	25	10.4	18
0.75	1750	90	56C	MM7590FC	TEFC	9.82	30	11.45	27
	1750	180	56C	MM7518FC	TEFC	4.9	30	11.45	27
1	1750	90	56C	MM1090FC	TEFC	12.7	33	12.24	36
	1750	180	56C	MM1018FC	TEFC	6.4	33	12.24	36
1.5	1750	180	56C	MM1518FC-56C	TEFC	7.86	45	14.39	54
	1750	180	145TC	MM1518FC	TEFC	7.86	45	13.8	54
2	1750	180	56C	MM2018FC-56C	TEFC	10.4	55	10.77	72
	1750	180	145TC	MM2018FC	TEFC	10.77	55	14.8	72
3	1750	180	145TC	MM3018FC	TEFC	18.6	70	16.9	108

# LOW VOLTAGE DC PERMANENT MAGNET MOTOR

HEAVY GAUGE ROLLED STEEL CONSTRUCTION | TENV TOTALLY NON-

VENTILATED & TEFC TOTALLY ENCLOSED FAN COOLED SCR RATED, 12, 24, 48VDC



## Features:

- Class F Insulation
- IP45 Rated
- NEMA C-Face with Removable Base
- Highest Quality Permanent Magnets for High Starting Torque and Increased Efficiency
- Permanently Lubricated Sealed Ball Bearings
- Linear Speed/Torque Throughout Speed Range 20:1 CT
- ROHS Compliant
- UL Recognized and CSA Certified



HP	RPM	ARMATURE DC VOLTS	FRAME	CAT NO.	ENCLOSURE	F.L. AMPS	WT (Lbs)	"C" DIMENSION (Inch)	TORQUE (IN.LBS)
0.25	1750	12	56C	MM2512NV	TENV	30.9	21	8	9
	1750	12	56C	MM2512FC	TEFC	30.9	21	10.4	9
	1750	24	56C	MM2524FC	TEFC	15.46	21	8	9
	1750	48	56C	MM2548FC	TEFC	7.73	21	10.4	9
0.33	1750	12	56C	MM3312NV	TENV	38.3	23	8	11.9
	1750	12	56C	MM3312FC	TEFC	38.3	23	10.4	11.9
	1750	24	56C	MM3324FC	TEFC	19.1	23	10.4	11.9
	1750	48	56C	MM3348FC	TEFC	9.56	23	10.4	11.9
0.5	1750	12	56C	MM5012NV	TENV	47.16	25	8.88	18
	1750	12	56C	MM5012FC	TEFC	47.12	25	10.4	18
	1750	24	56C	MM5024FC	TEFC	23.56	25	10.4	18
	1750	48	56C	MM5048FC	TEFC	11.78	25	10.4	18
0.75	1750	12	56C	MM7512FC	TEFC	73.6	30	11.45	27
	1750	24	56C	MM7524FC	TEFC	31.8	30	11.45	27
1	1750	12	56C	MM1012FC	TEFC	95.4	32	12.24	36
	1750	24	56C	MM1024FC	TEFC	47.7	32	12.24	36

# RIGHT ANGLE SPEED REDUCER

ALUMINUM CONSTRUCTION



## Features:

- Aluminum alloy Housing with heat sink design
- Two bearings on Input shaft
- NEMA 56C Input
- Double Lip Seals
- O Rings on input and output covers
- Hardened worm shaft
- Permanently sealed with Synthetic lubrication
- See Accessories page for Single and Double Output shafts, Torque arm and Flanges.



MODEL	RATIO	OUTPUT RPM	OUTPUT TORQUE In.Lbs	MAX HP INPUT @ 1750RPM	MAX OHL Lbs	BORE SIZE	SINGLE O.P SHAFT	DOUBLE O.P SHAFT	TORQUE ARM	OUTPUT FLANGE
MMR50-5-56C	5	350	549	3.43	322	1.000"	MMR50-SS	MMR50-DS	MMR50-ARM	MMR50-FLANGE
MMR50-7.5-56C	7.5	23	638	2.64	369	1.000"	MMR50-SS	MMR50-DS	MMR50-ARM	MMR50-FLANGE
MMR50-10-56C	10	175	637	2.06	406	1.000"	MMR50-SS	MMR50-DS	MMR50-ARM	MMR50-FLANGE
MMR50-15-56C	15	117	655	1.48	464	1.000"	MMR50-SS	MMR50-DS	MMR50-ARM	MMR50-FLANGE
MMR50-20-56C	20	88	646	1.14	510	1.000"	MMR50-SS	MMR50-DS	MMR50-ARM	MMR50-FLANGE
MMR50-25-56C	25	70	619	.90	551	1.000"	MMR50-SS	MMR50-DS	MMR50-ARM	MMR50-FLANGE
MMR50-30-56C	30	58	743	.96	586	1.000"	MMR50-SS	MMR50-DS	MMR50-ARM	MMR50-FLANGE
MMR50-40-56C	40	44	672	.70	643	1.000"	MMR50-SS	MMR50-DS	MMR50-ARM	MMR50-FLANGE
MMR50-50-56C	50	35	646	.57	694	1.000"	MMR50-SS	MMR50-DS	MMR50-ARM	MMR50-FLANGE
MMR50-60-56C	60	29	602	.47	739	1.000"	MMR50-SS	MMR50-DS	MMR50-ARM	MMR50-FLANGE
MMR50-80-56C	80	22	575	.38	810	1.000"	MMR50-SS	MMR50-DS	MMR50-ARM	MMR50-FLANGE
MMR50-100-56C	100	18	487	.28	866	1.000"	MMR50-SS	MMR50-DS	MMR50-ARM	MMR50-FLANGE
MMR63-7.5-56C	7.5	233	1133	4.77	463	1.000"	MMR63-SS	MMR63-DS	MMR63-ARM	MMR63-FLANGE
MMR63-10-56C	10	175	1150	3.67	510	1.000"	MMR63-SS	MMR63-DS	MMR63-ARM	MMR63-FLANGE
MMR63-15-56C	15	117	1239	2.76	583	1.000"	MMR63-SS	MMR63-DS	MMR63-ARM	MMR63-FLANGE
MMR63-20-56C	20	88	1194	2.05	641	1.000"	MMR63-SS	MMR63-DS	MMR63-ARM	MMR63-FLANGE
MMR63-25-56C	25	70	1150	1.64	692	1.000"	MMR63-SS	MMR63-DS	MMR63-ARM	MMR63-FLANGE
MMR63-30-56C	30	58	1416	1.77	736	1.000"	MMR63-SS	MMR63-DS	MMR63-ARM	MMR63-FLANGE
MMR63-40-56C	40	44	1283	1.27	807	1.000"	MMR63-SS	MMR63-DS	MMR63-ARM	MMR63-FLANGE
MMR63-50-56C	50	35	1194	1.01	871	1.000"	MMR63-SS	MMR63-DS	MMR63-ARM	MMR63-FLANGE
MMR63-60-56C	60	29	1150	.86	928	1.000"	MMR63-SS	MMR63-DS	MMR63-ARM	MMR63-FLANGE
MMR63-80-56C	80	22	1079	.66	1017	1.000"	MMR63-SS	MMR63-DS	MMR63-ARM	MMR63-FLANGE
MMR63-100-56C	100	15	1044	.57	1088	1.000"	MMR63-SS	MMR63-DS	MMR63-ARM	MMR63-FLANGE
MMR75-50-56C	50	35	1880	1.47	1093	1.250"	MMR75-SS	MMR75-DS	MMR75-ARM	MMR75-FLANGE
MMR75-60-56C	60	29	1778	1.22	1162	1.250"	MMR75-SS	MMR75-DS	MMR75-ARM	MMR75-FLANGE
MMR75-80-56C	80	22	1632	.91	1279	1.250"	MMR75-SS	MMR75-DS	MMR75-ARM	MMR75-FLANGE
MMR75-100-56C	100	18	1517	.94	1378	1.250"	MMR75-SS	MMR75-DS	MMR75-ARM	MMR75-FLANGE
MMR90-80-56C	80	22	2396	1.27	1415	1.375"	MMR90-SS	MMR90-DS	MMR90-ARM	MMR90-FLANGE
MMR90-100-56C	100	18	2270	1.03	1524	1.375"	MMR90-SS	MMR90-DS	MMR90-ARM	MMR90-FLANGE

# RIGHT ANGLE SPEED REDUCER

304 STAINLESS STEEL CONSTRUCTION



## Features:

- 304 Stainless Steel construction
- Two bearings on Input shaft
- NEMA 56C Face Input
- Double Lip Viton Seals
- O Rings on input and output covers
- Hardened worm shaft
- Permanently sealed with Food Grade Oil
- 140TC come's with 5/8" Stainless Reduction Bushing



MODEL	RATIO	OUTPUT RPM	OUTPUT TORQUE In.Lbs	MAX INPUT HP @ 1750RPM	MAX OHL Lbs	BORE SIZE	SINGLE O.P SHAFT	DOUBLE O.P SHAFT	TORQUE ARM
MRS50-5-56C	5	350	549	3.43	322	1.000"	MRS50-SS-SS	MRS50-DS-SS	MRS50-ARM
MRS50-7.5-56C	7.5	23	638	2.64	369	1.000"	MRS50-SS-SS	MRS50-DS-SS	MRS50-ARM
MRS50-10-56C	10	175	637	2.06	406	1.000"	MRS50-SS-SS	MRS50-DS-SS	MRS50-ARM
MRS50-15-56C	15	117	655	1.48	464	1.000"	MRS50-SS-SS	MRS50-DS-SS	MRS50-ARM
MRS50-20-56C	20	88	646	1.14	510	1.000"	MRS50-SS-SS	MRS50-DS-SS	MRS50-ARM
MRS50-25-56C	25	70	619	.90	551	1.000"	MRS50-SS-SS	MRS50-DS-SS	MRS50-ARM
MRS50-30-56C	30	58	743	.96	586	1.000"	MRS50-SS-SS	MRS50-DS-SS	MRS50-ARM
MRS50-40-56C	40	44	672	.70	643	1.000"	MRS50-SS-SS	MRS50-DS-SS	MRS50-ARM
MRS50M-40-56C	40	44	672	.70	643	25MM	N/A	N/A	MRS50-ARM
MRS50-50-56C	50	35	646	.57	694	1.000"	MRS50-SS-SS	MRS50-DS-SS	MRS50-ARM
MRS50-60-56C	60	29	602	.47	739	1.000"	MRS50-SS-SS	MRS50-DS-SS	MRS50-ARM
MRS50M-60-56C	60	29	602	.47	739	25MM	N/A	N/A	MRS50-ARM
MRS50-80-56C	80	22	575	.38	810	1.000"	MRS50-SS-SS	MRS50-DS-SS	MRS50-ARM
MRS50-100-56C	100	18	487	.28	866	1.000"	MRS50-SS-SS	MRS50-DS-SS	MRS50-ARM
MRS63-7.5-56C	7.5	233	1133	4.77	463	1.000"	MRS63-SS-SS	MRS63-DS-SS	MRS63-ARM
MRS63-10-56C	10	175	1150	3.67	510	1.000"	MRS63-SS-SS	MRS63-DS-SS	MRS63-ARM
MRS63-15-56C	15	117	1239	2.76	583	1.000"	MRS63-SS-SS	MRS63-DS-SS	MRS63-ARM
MRS63-20-56C	20	88	1194	2.05	641	1.000"	MRS63-SS-SS	MRS63-DS-SS	MRS63-ARM
MRS63-25-56C	25	70	1150	1.64	692	1.000"	MRS63-SS-SS	MRS63-DS-SS	MRS63-ARM
MRS63-30-56C	30	58	1416	1.77	736	1.000"	MRS63-SS-SS	MRS63-DS-SS	MRS63-ARM
MRS63-40-56C	40	44	1283	1.27	807	1.000"	MRS63-SS-SS	MRS63-DS-SS	MRS63-ARM
MRS63M-40-56C	40	44	1283	1.27	807	25MM	N/A	N/A	MRS63-ARM
MRS63-50-56C	50	35	1194	1.01	871	1.000"	MRS63-SS-SS	MRS63-DS-SS	MRS63-ARM
MRS63-60-56C	60	29	1150	.86	928	1.000"	MRS63-SS-SS	MRS63-DS-SS	MRS63-ARM
MRS63M-60-56C	60	29	1150	.86	928	25MM	N/A	N/A	MRS63-ARM
MRS63-80-56C	80	22	1079	.66	1017	1.000"	MRS63-SS-SS	MRS63-DS-SS	MRS63-ARM
MRS63-100-56C	100	15	1044	.57	1088	1.000"	MRS63-SS-SS	MRS63-DS-SS	MRS63-ARM
MRS75-7.5-180TC	7.5	233	1555	6.44	581	1.250"	MRS75-SS-SS	MRS75-DS-SS	MRS75-ARM
MRS75-10-180TC	10	175	1656	5.20	639	1.250"	MRS75-SS-SS	MRS75-DS-SS	MRS75-ARM
MRS75-15-180TC	15	117	1900	4.07	732	1.250"	MRS75-SS-SS	MRS75-DS-SS	MRS75-ARM
MRS75-20-140TC	20	88	1953	3.24	806	1.250"	MRS75-SS-SS	MRS75-DS-SS	MRS75-ARM
MRS75-25-140TC	25	70	1784	2.43	868	1.250"	MRS75-SS-SS	MRS75-DS-SS	MRS75-ARM
MRS75-30-140TC	30	58	2027	2.41	922	1.250"	MRS75-SS-SS	MRS75-DS-SS	MRS75-ARM
MRS75-40-56C	40	44	2029	1.90	1015	1.250"	MRS75-SS-SS	MRS75-DS-SS	MRS75-ARM
MRS75-50-56C	50	35	1880	1.47	1093	1.250"	MRS75-SS-SS	MRS75-DS-SS	MRS75-ARM
MRS75-60-56C	60	29	1778	1.22	1162	1.250"	MRS75-SS-SS	MRS75-DS-SS	MRS75-ARM
MRS75-80-56C	80	22	1632	.91	1279	1.250"	MRS75-SS-SS	MRS75-DS-SS	MRS75-ARM
MRS75-100-56C	100	15	1517	0.74	1378	1.250"	MRS75-SS-SS	MRS75-DS-SS	MRS75-ARM



# NEMA MOTOR BASES

FRAME ADJUSTABLE BASES and U to T FRAME TRANSITION BASES

## SINGLE ADJUSTMENT SLIDE BASES

FRAME	CATALOGUE
56	56W
143T	143W
145T	145W



## SINGLE ADJUSTMENT SLIDE BASES

FRAME	STANDARD DUTY CAT NO.	HEAVY DUTY CAT NO.
182T	182B2W	182A2HD
184T	184B2W	184A2HD
213T	213B2W	213A2HD
215T	215B2W	215A2HD
254T	254B2W	254C2HD
256T	256B2W	256C2HD
284T	284B2W	284C2HD
286T	286B2W	286C2HD
324T	324B2W	324C2HD
326T	326B2W	326C2HD
364T	364B2W	364C2HD
365T	365B2W	365C2HD
404T	404B2W	404C2HD
405T	405B2W	405C2HD
444T	444B2W	444C2HD
445T	445B2W	445C2HD
447T	447B2W	447C2HD
449T	449B2W	449C2HD
504T	504B2W	N/A
505T	505B2W	N/A



## TRANSITION BASES

CONVERTS FROM	CONVERTS TO	CATALOGUE
182/184	143T/145T	1814T
213/215	182T/184T	2118T
254U/256U	213T/215T	25U21T
284U/286U	254T/256T	28U25T
324U/326U	284T/286T	32U28T
364U/365U	324T/326T	36U32T
404/405U	364T/365T	40U36T
444U/445U	364T/365T	44U36T
444U/445U	404/405T	44U40T



### MAXMOTION CAST IRON EPACT and PREMIUM TEFC MOTORS

FRAME	CATALOGUE		
	"C" FLANGE	"D" FLANGE	DRIP COVER
143/145T	W 140TC	W 140TD	W 140FCS-DC
182/184T	W 180TC	W 180TD	W 180FCS-DC
213/215T	W 210TC / W 210TCP	W 210TD / W 210TDP	W 210FCS-DCE / W 210FCS-DCP
254T/256T	W 250TC / W 250TCP	W 250TD / W 250TDP	W 250FCS-DCE / W 250FCS-DCP
284/286T	W 280TC	W 280TD	W 280FCS-DC
324/326T	W 320TC	W 320TD	W 320FCS-DC
364/365T	W 360TC / W 360TCP	W 360TD / W 360TDP	W 360FCS-DCE / W 360FCS-DCP
404/405T	W 400TC / W 400TCP	W 400TD / W 400TDP	W 400FCS-DCE / W 400FCS-DCP
444/445T	W 440TC / W 440TCP	W 440TD / W 440TDP	W 440FCS-DCE / W 440FCS-DCP
444/49T	W 440TC / W 440TCP	W 440TD / W 440TDP	W 440FCS-DCE / W 440FCS-DCP

### MAXMOTION PREMIUM ROLLED STEEL and CAST IRON ODP MOTORS

FRAME	CATALOGUE		
	"C" FLANGE	"D" FLANGE	DRIP COVER
143/145T	W 140TCO-6205	W 140TDO-6205	W 140TCO-DC
182/184T	W 180TCO-6206	W 180TDO-6206	W 180TCO-DC
213/215T	W 210TCO-6208	W 210TDO-6208	W 210TCO-DC
254T/256T	W 250TCO-6309	W 250TDO-6309	W 250TCO-DC
284/286T	W 280TCO-6311	W 280TDO-6311	W 280TCO-DC
324/326T	W 320TCO-6312	W 320TDO-6312	W 320TCO-DC
364/365T	W 360TCO-6313	W 360TDO-6313	W 360TCO-DC
404/405TS	W 400TSCO-6314	W 400TSDO-6314	W 400TCO-DC
404/405T	W 440TCO-6318	W 440TDO-6318	W 440TCO-DC
444/445/7/9TS	W 440TSCO-6314	W 440TSDO-6314	W 440TCO-DC
444/445/7/9T	W 440TCO-6319	W 440TDO-6319	W 440TCO-DC

# ACCESSORIES

“B14”, and “B5” FLANGES FOR IEC MAXMOTION MOTORS



## ALUMINUM and CAST IRON TEFC MOTORS

FRAME	CATALOGUE	
	B14	B5
56	IJAB14-56	IJAB5-56
63	IJAB14-63	IJAB5-63
71	IJAB14-71	IJAB5-71
80	IJAB14-80	IJAB5-80
90	IJAB14-90	IJAB5-90
100	IJAB14-100	IJAB5-100
112	IJAB14-112	IJAB5-112
132	IJAB14-132	IJAB5-132
160		IJAB5-160
180		IJCB5-180
200		IJCB5-200
225		IJCB5-225
250		IJCB5-250
280		IJCB5-280
315		IJCB5-315
355		IJCB5-355

## MAXMOTION STAINLESS STEEL TENV & TEFC MOTORS

FRAME	CATALOGUE	
	B14	B5
63	63B14SS	63B5SS
71	71B14SS	71B5SS
80	80B14SS	80B5SS
90	90B14SS	90B14SS
100	100B14SS	100B5SS
112	112B14SS	112B5SS
132	132B14SS	132B5SS



**SINCE 2001, MEP HAS  
DEVELOPED A COMPREHENSIVE  
RANGE OF PRODUCTS TO MEET  
THE VARIOUS NEEDS OF THEIR  
CUSTOMERS AND THEIR UNIQUE  
APPLICATIONS.**

**MAX MOTION DELIVERS  
INDUSTRY LEADING FEATURES  
AT COMPETITIVE PRICES.**

## **MEP INC**

**ONTARIO, WESTERN CANADA,  
NEWFOUNDLAND, LABRADOR AND USA  
2831 BRISTOL CIRCLE UNIT 3  
OAKVILLE, ON L6H 6X5  
TEL: 905-829-1020  
TOLL FREE: 877-812-7788  
EMAIL: [INFORMATION@MEP.CA](mailto:INFORMATION@MEP.CA)**

**QUEBEC AND MARITIMES  
10500 BOUL. DU GOLF  
ANJOU, QC H1J 2Y7  
TEL: 514-352-1229  
TOLL FREE: 888-668-3877  
EMAIL: [INFO@MEP.CA](mailto:INFO@MEP.CA)**



**[WWW.MEP.CA](http://WWW.MEP.CA)**